

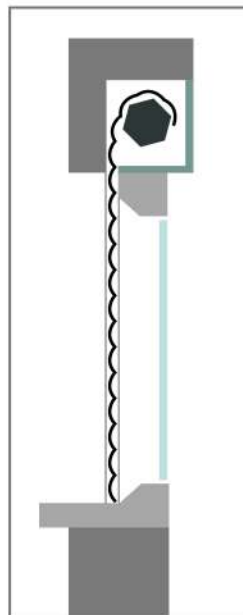
MADE TO MEASURE INTEGRATED ROLLER SHUTTER - SPRING & LOCK

Dear Customer,

Thank you for purchasing one of our roller shutters. We hope you find the installation process smooth and the product to your expectations.

Important: Please follow the instructions as closely as possible to ensure correct installation.

Our products are guaranteed on any manufacturing defect - however, we can not be held responsible for errors in installation.



This notice is made up of different sections:

- Shutter Installation - page 2
- Spring tension check - page 7
- Installation of the locking system - page 8
- Installation FAQ - page 9

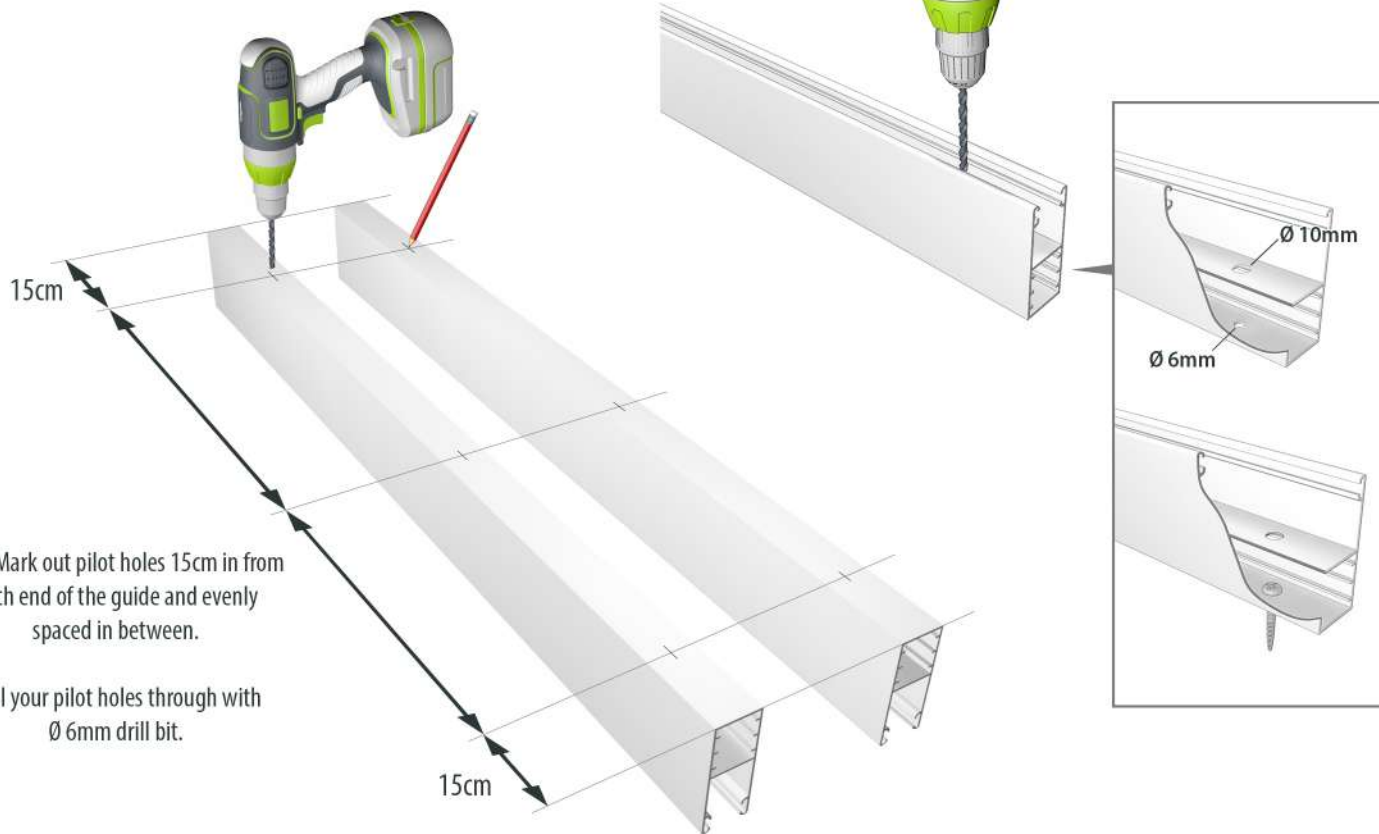
INSTALLATION TYPE

1

B Flip the guides and drill the inside pilot hole with $\varnothing 10\text{mm}$ drill bit. This allow passage of the screw head for a neater and more secure installation.

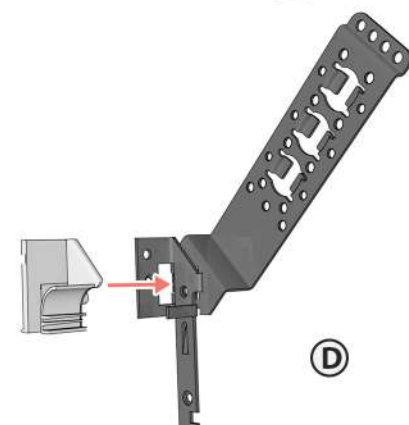
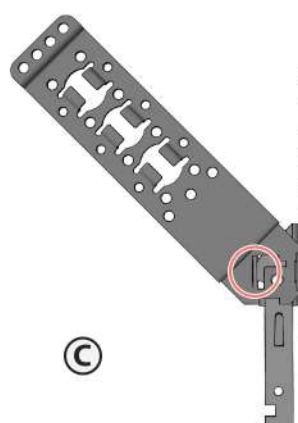
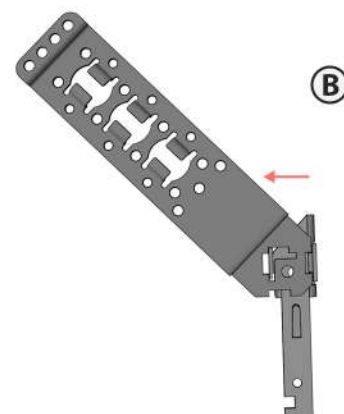
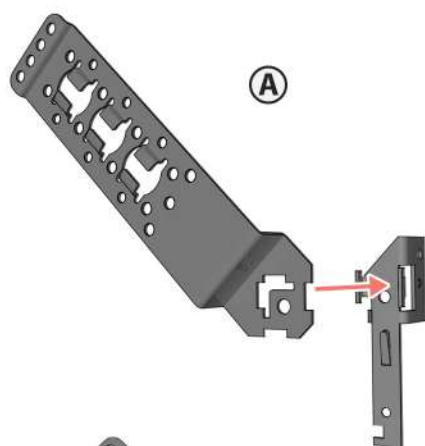
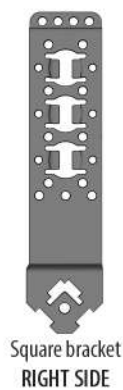
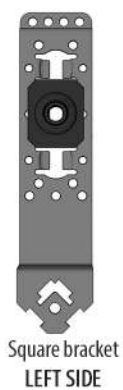
A Mark out pilot holes 15cm in from each end of the guide and evenly spaced in between.

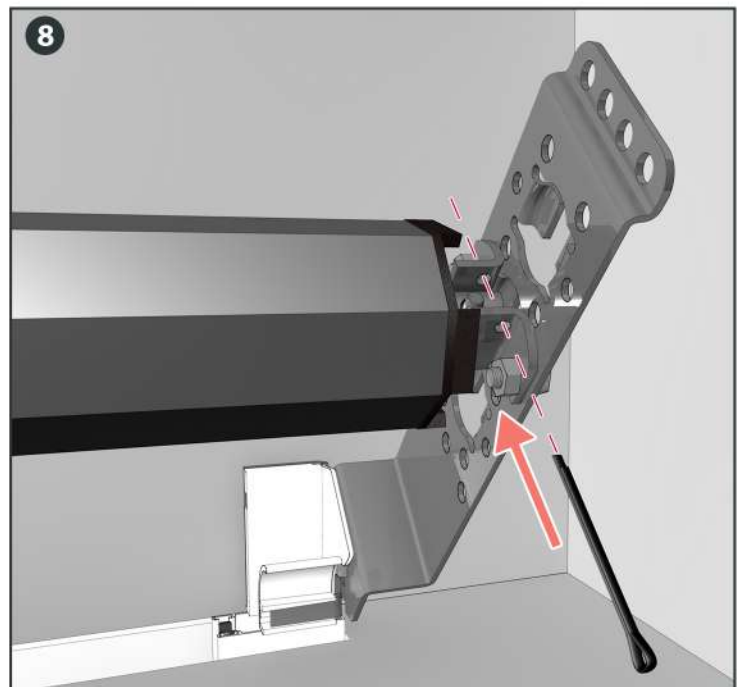
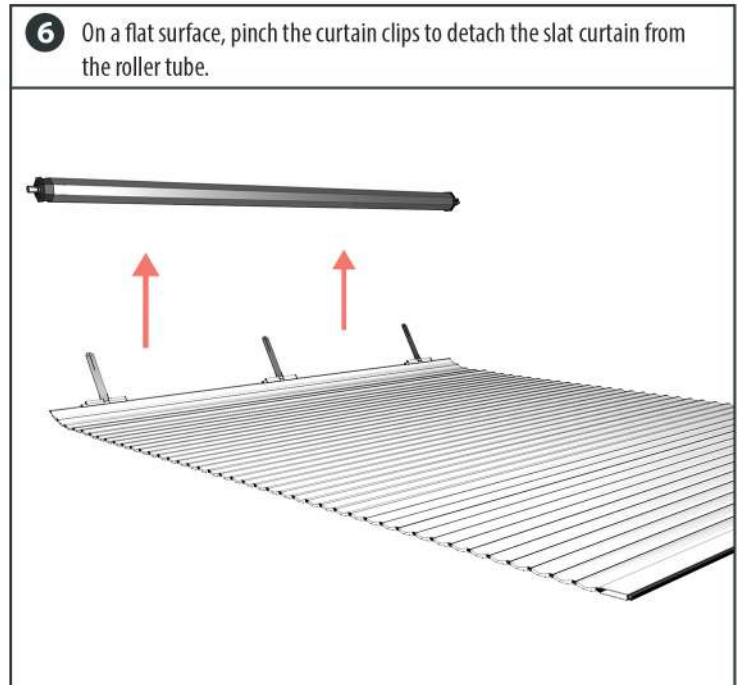
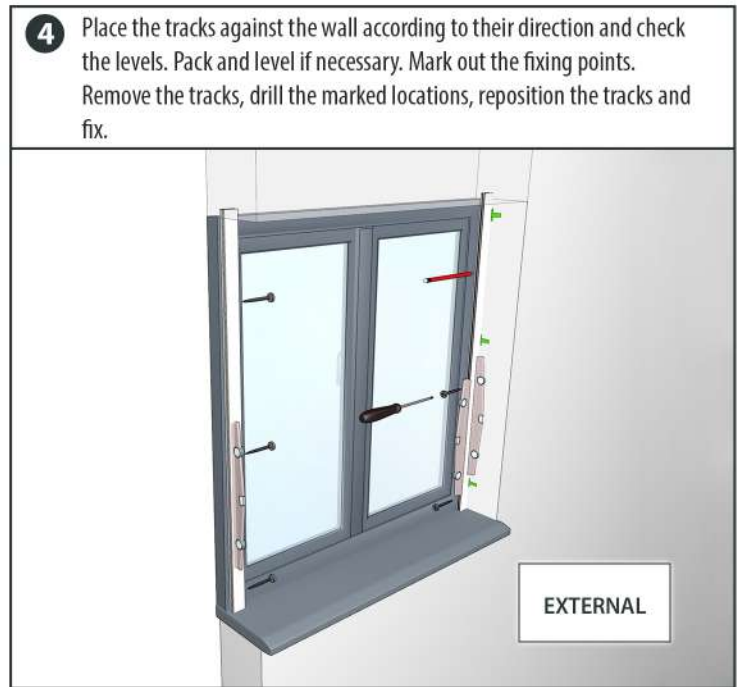
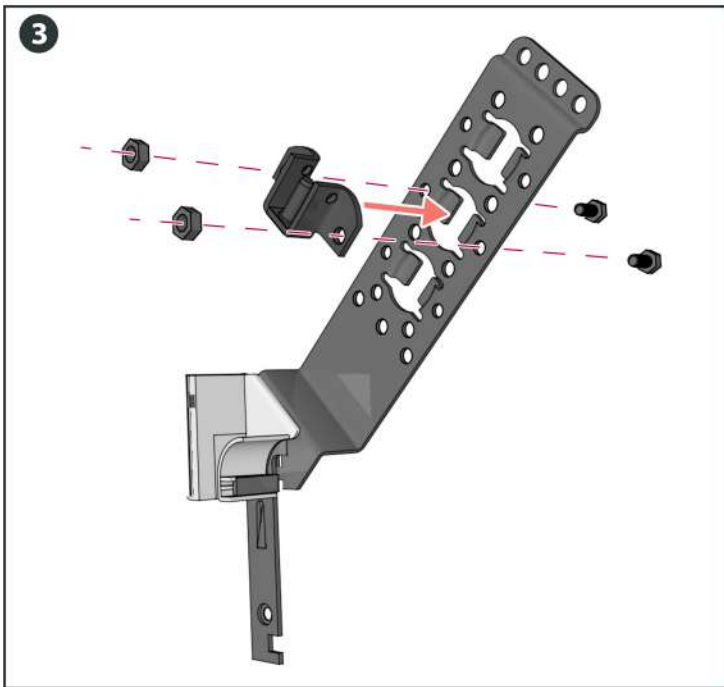
Drill your pilot holes through with $\varnothing 6\text{mm}$ drill bit.

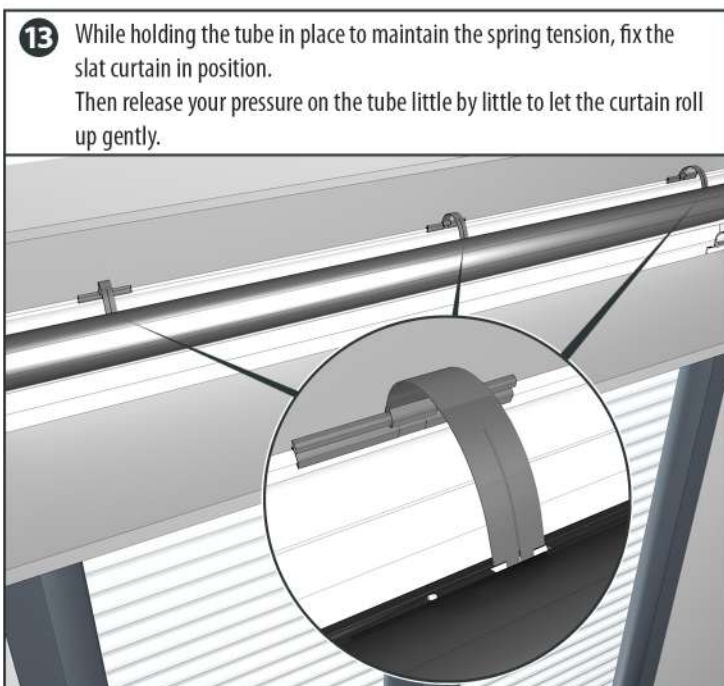
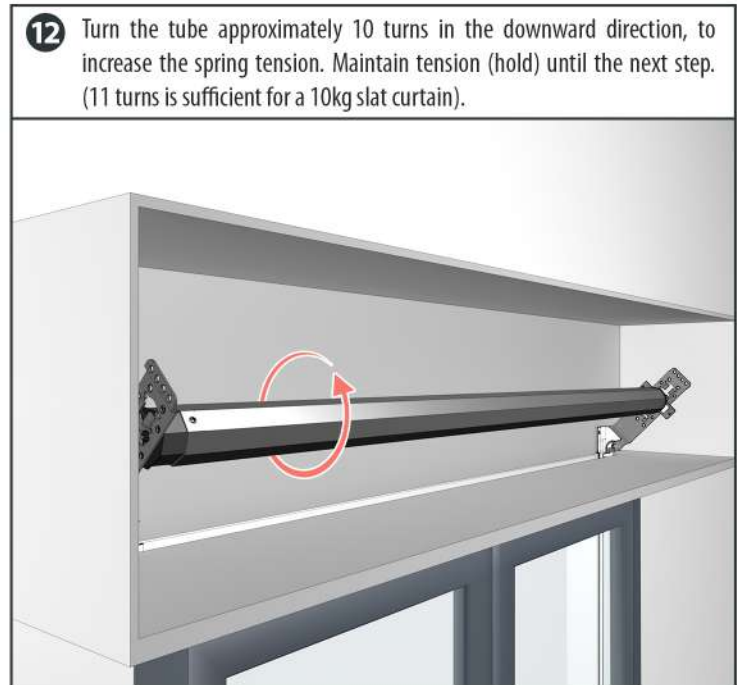
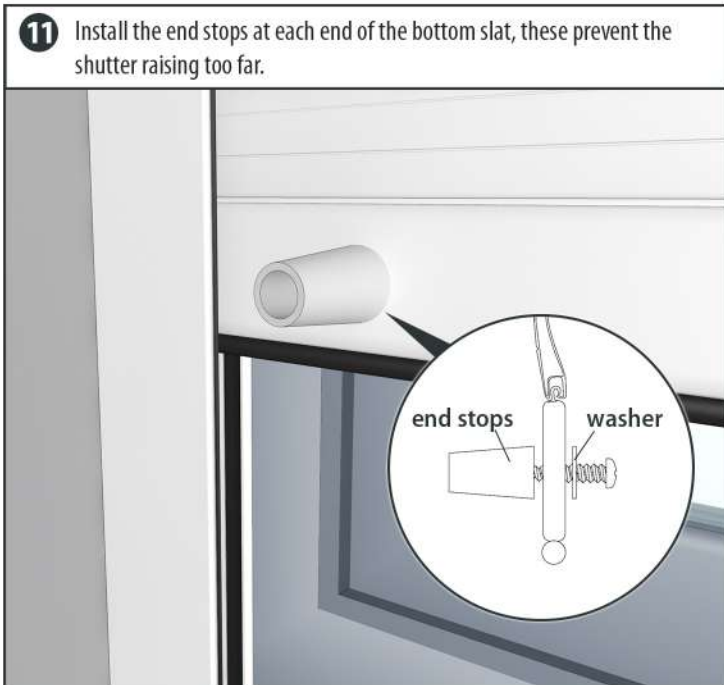
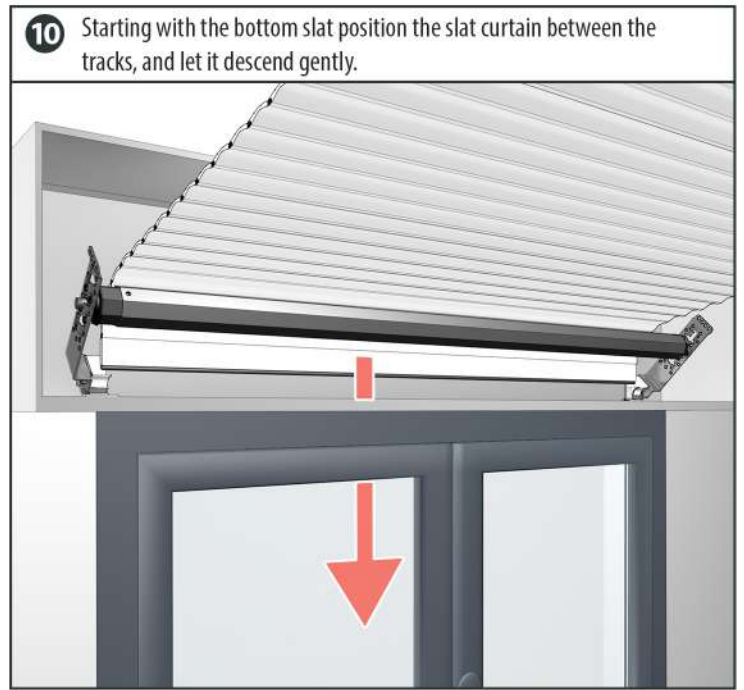
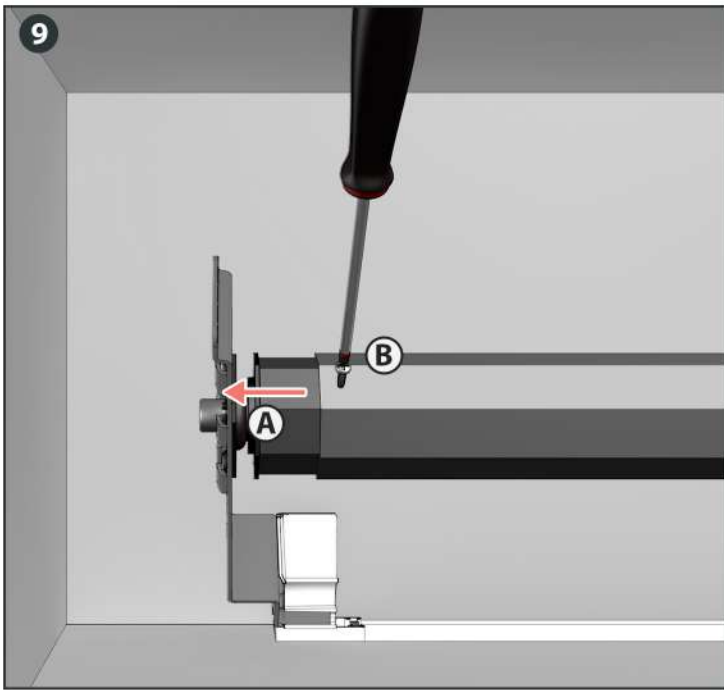


2

Facing the window (inside), pick the appropriate side bracket to be assembled.

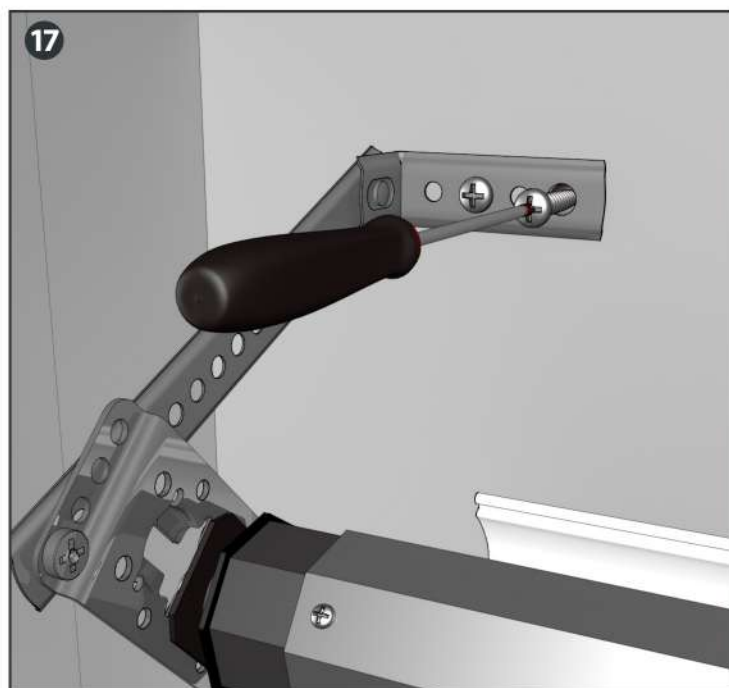
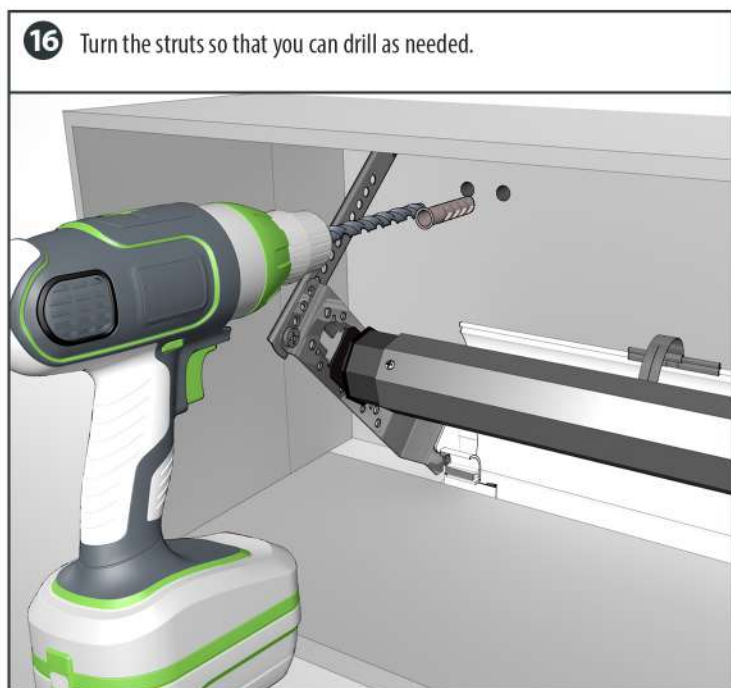
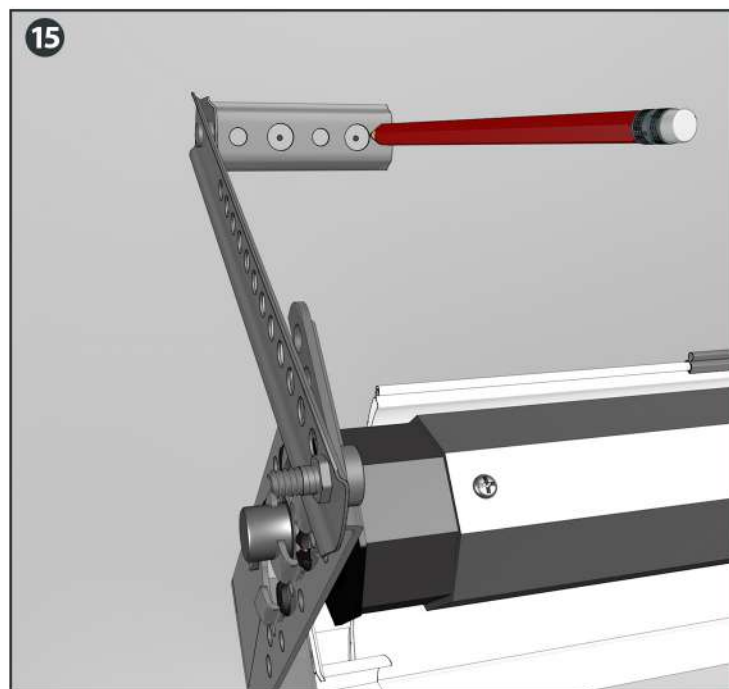
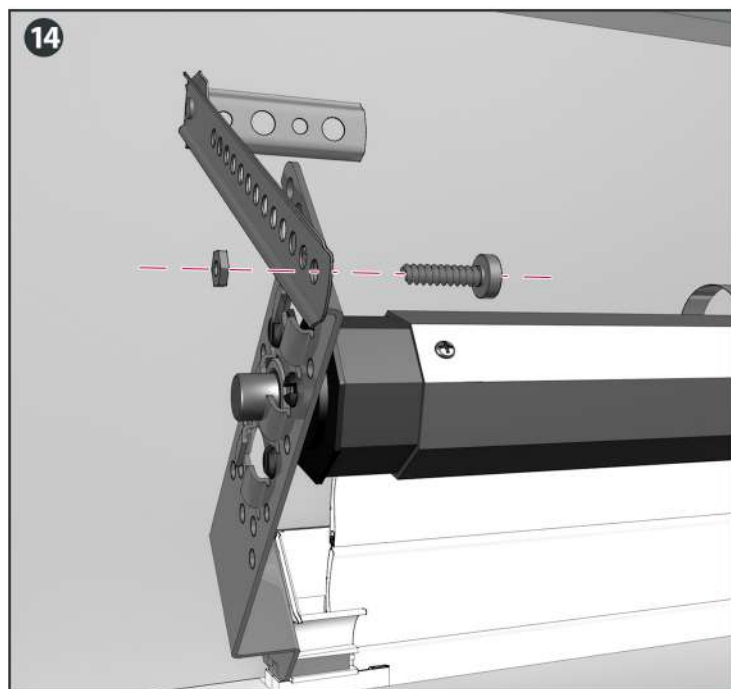






POSITIONING WALL STRUT BRACKETS (optional but recommended)

Steps to be carried out on each side of the axis.



- 1** Silikondichtung um den Umfang des Rollladens auftragen, um eine perfekte Isolierung zu gewährleisten.

Um den RAL des von Ihnen gewählten Rollladens zu kennen, um die Dichtung der Farbe so gut wie möglich anzupassen, bitte die Angaben auf der Produktseite unserer Website auf avosdim.com/de/ beachten.

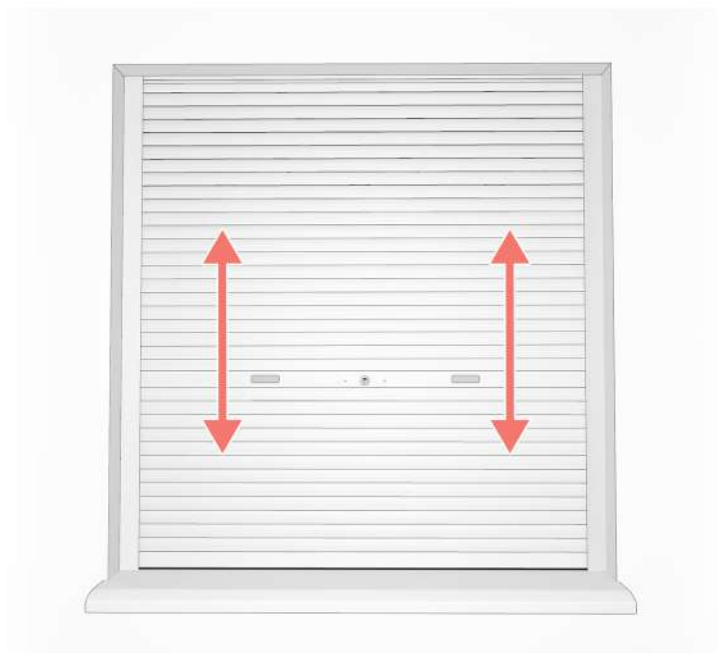


- 2** Wenn der Abstand zwischen der Wand und dem Rollladen zu groß ist, kann eine Schaumstoffdichtung verwendet werden.



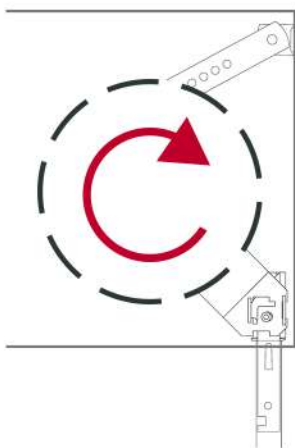
SPRING TENSION CHECK

Check the correct tension of the spring by carefully handling the roller shutter (opening / closing).



If the tension is not correct, lower the apron completely.
While holding the roller tube, detach the slat curtain, then turn the tube as needed.
Re-attach the curtain to the roller tube once correct.

Curtain raises too quickly : **DECREASE** spring tension.
Curtain doesn't raise far enough : **INCREASE** spring tension.



To **INCREASE** tension :
Rotate the curtain in an **downward direction** inside the box.



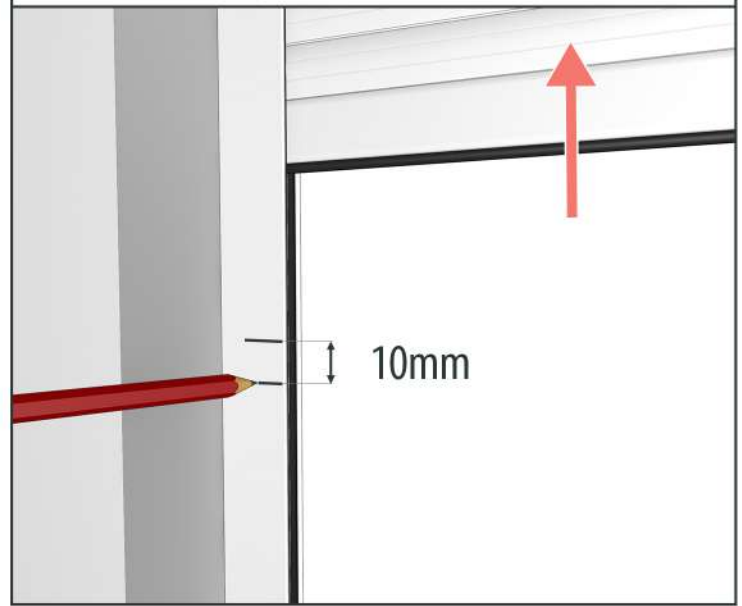
To **REDUCE** tension :
Rotate the curtain in an **upward direction** inside the box.

INSTALLATION OF THE LOCKING SYSTEM

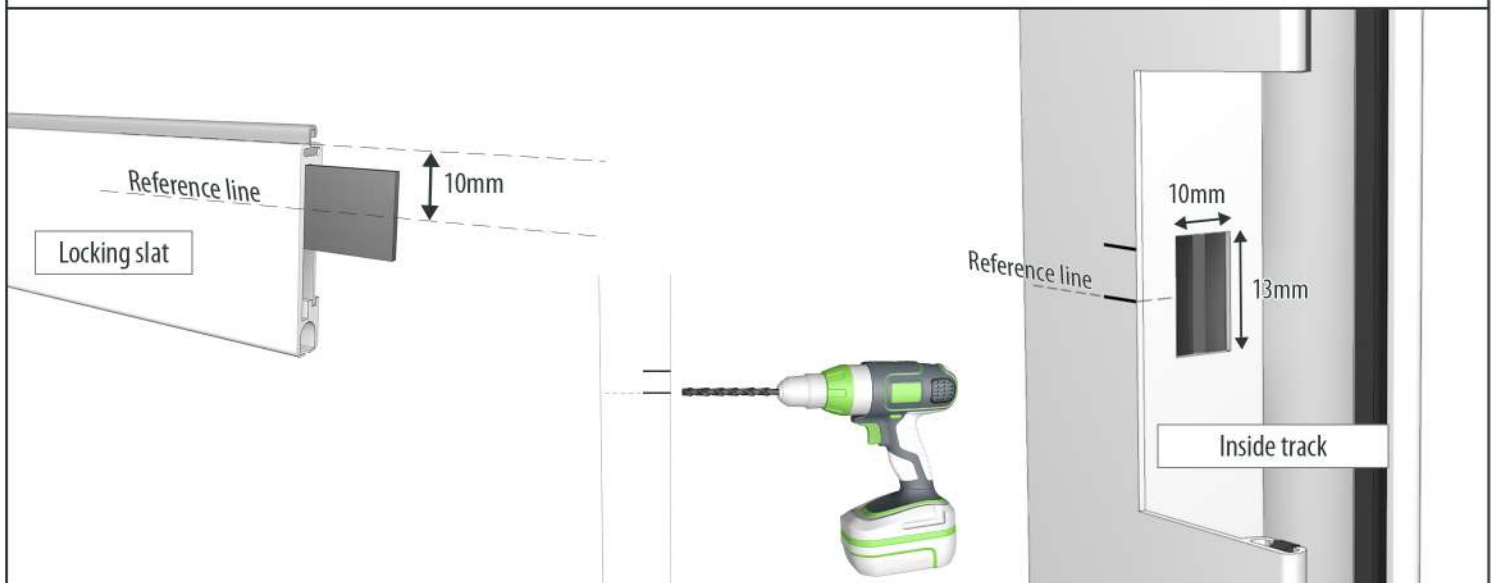
- 1** Lower the shutter curtain - hold closed using the handles provided. While keeping the curtain closed - mark the level at the top of the locking slat on each side of the shutter curtain.



- 2** Raise the curtain back up gently. Mark 10mm below your slat level mark on each side.



- 3** Using the new line as a reference (second mark / step 2) - evenly drill out a passageway for the lock bar, approximately 10mm by 16mm. Test the lock bar has sufficient room to lock properly. Make any necessary adjustments, and file the opening to finish.



Installation FAQ

My shutter jams on it's way down or up:

A shutter slat may have moved to one side - check the alignment and try again.

Why aren't my shutter guides pre-drilled?

We leave the drilling to you as each configuration is different - please refer to the installation manual.

The shutter curtain raises too quickly or not high enough:

The spring tension should be adjusted, please follow steps on page 9.

Helpful Tips

In the event of a storm, open or close the roller shutter completely, the intermediate positions creating a wind pocket.