

MADE TO MEASURE INTEGRATED ROLLER SHUTTER REMOTE CONTROL MOTOR RTS SOMFY

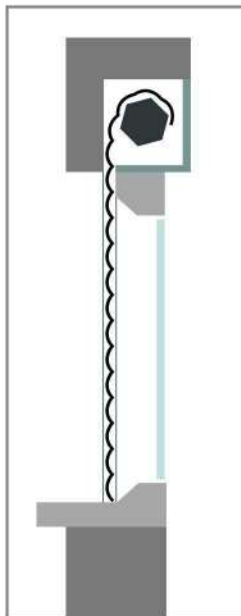
Dear Customer,

Thank you for purchasing one of our roller shutters. We hope you find the installation process smooth and the product to your expectations.

Important: Please follow the instructions as closely as possible to ensure correct installation.

Our products are guaranteed on any manufacturing defect - however, we can not be held responsible for errors in installation.

Recommendation : provide entry / exit access to the home without an electric shutter (in the event of prolonged power outage).



This notice is made up of different sections:

- Preparing the elements page 2
- Shutter Installation - page 3
- Setting motor stop limits - page 6
- Installation FAQ - page 8

This manual uses a **right hand side** controlled roller shutter as an example. Adapt your installation according to your configuration.

The motor stop limits are usually set during factory assembly.

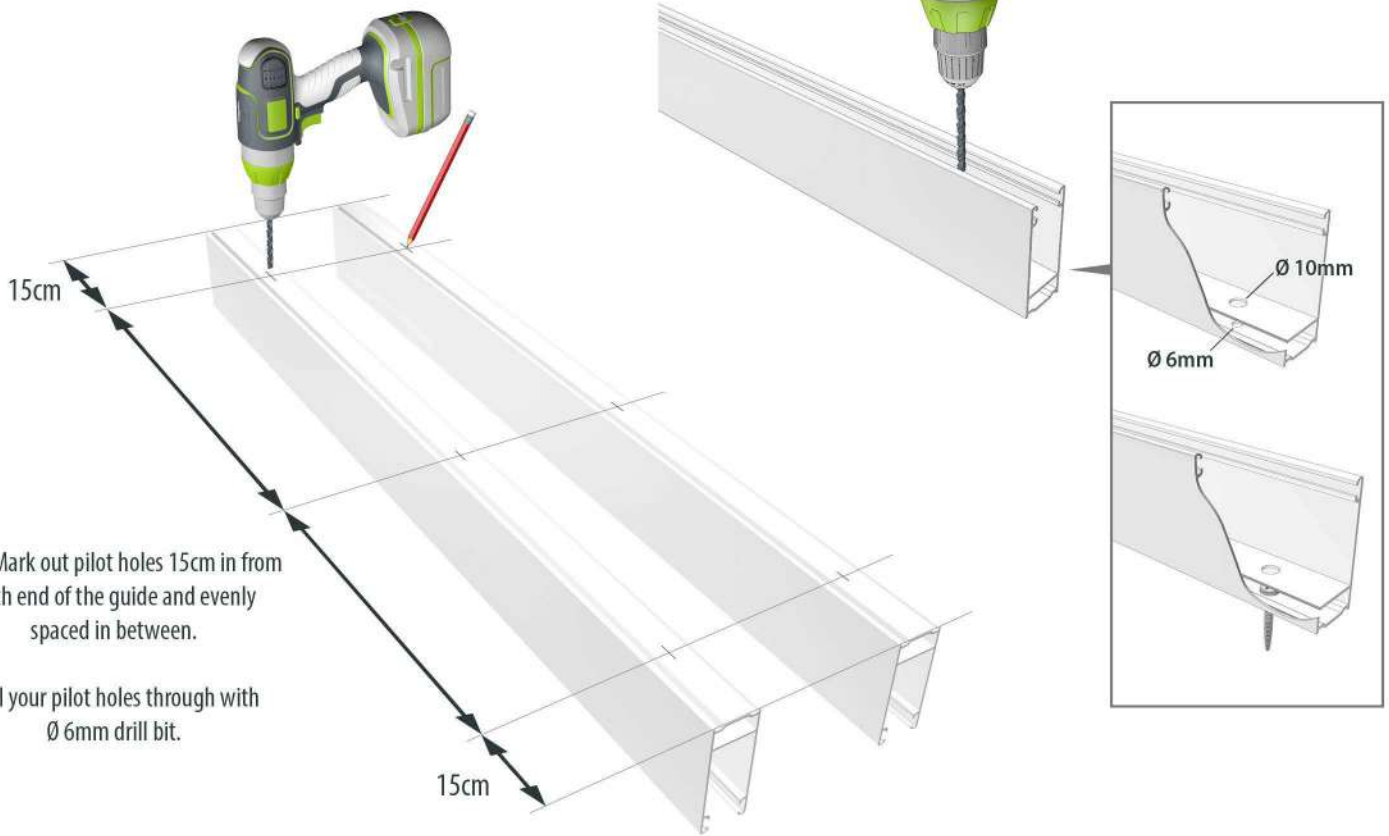
PREPARING THE ELEMENTS

1

B Flip the guides and drill the inside pilot hole with $\varnothing 10\text{mm}$ drill bit. This allow passage of the screw head for a neater and more secure installation.

A Mark out pilot holes 15cm in from each end of the guide and evenly spaced in between.

Drill your pilot holes through with $\varnothing 6\text{mm}$ drill bit.

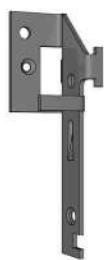


2

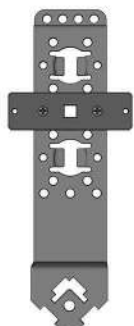
Facing the window (inside), pick the appropriate side bracket to be assembled according to the control side chosen.



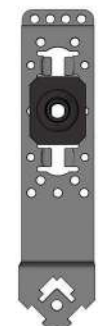
P bracket LEFT SIDE



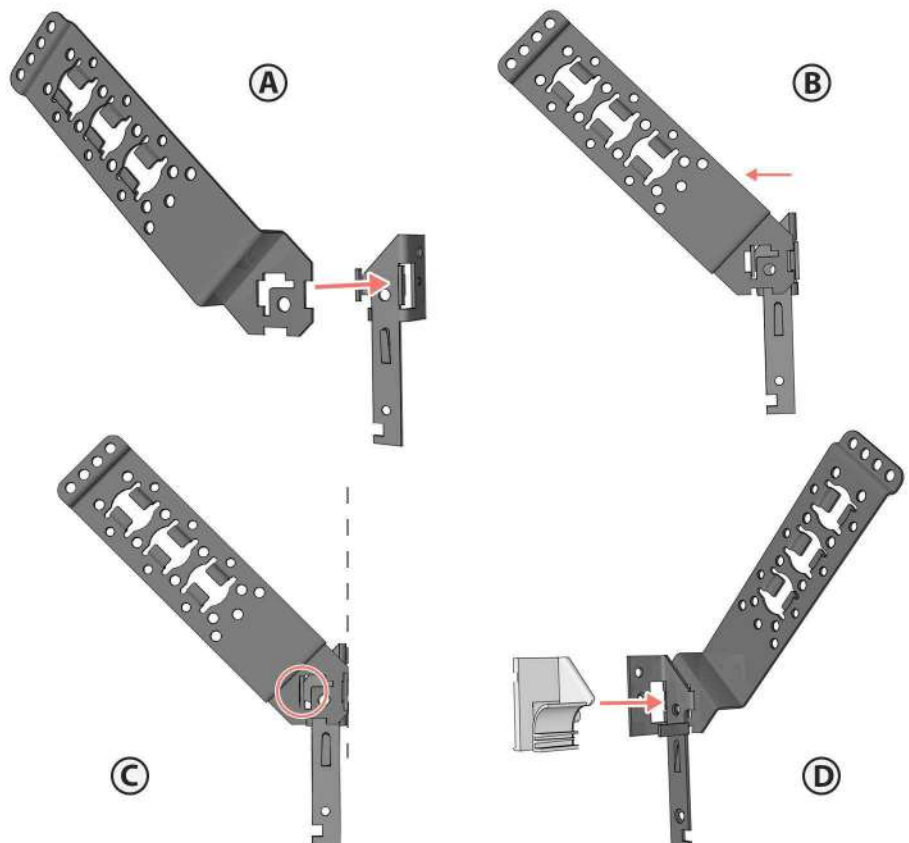
P bracket RIGHT SIDE



Square bracket
MOTOR SIDE



Square bracket
OPPOSITE SIDE



INSTALLATION TYPE

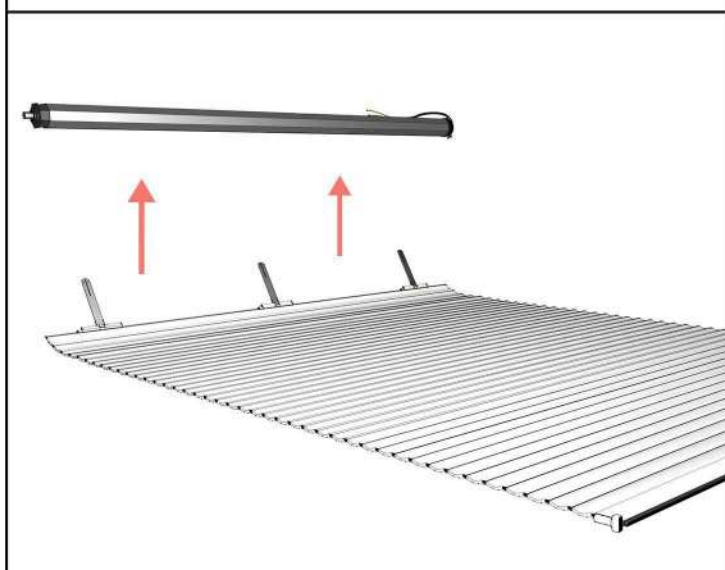
- 3** Place the tracks against the wall according to their direction and check the levels. Pack and level if necessary. Mark out the fixing points. Remove the tracks, drill the marked locations, reposition the tracks and fix.



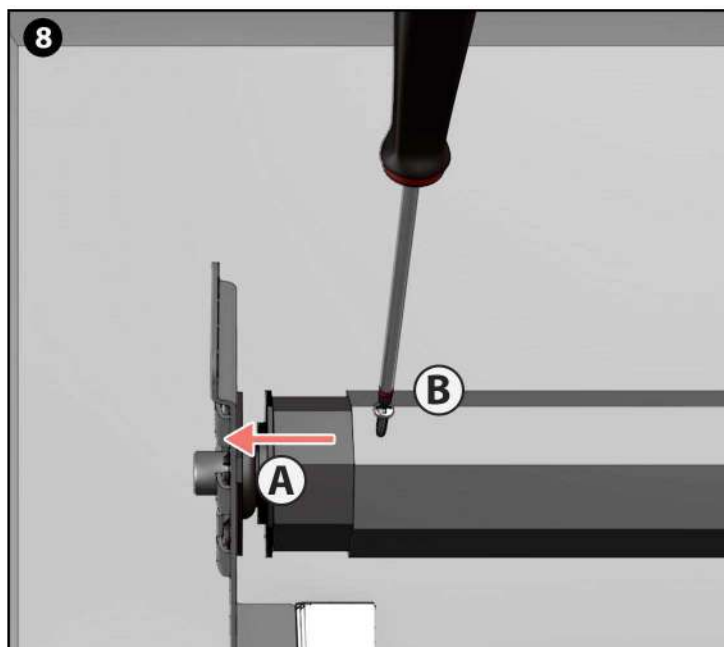
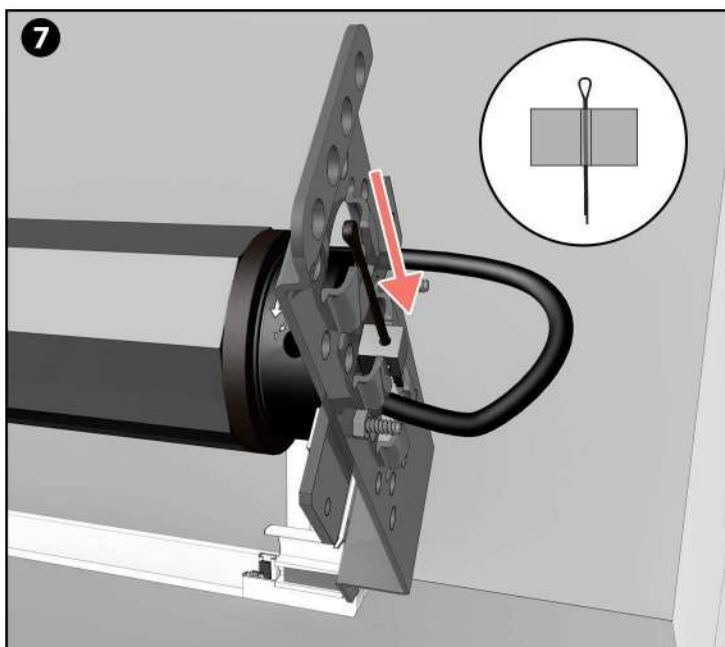
- 4** Assemble the P brackets + square brackets + entry guides on the tracks. For this installation, our motor is on the right.



- 5** On a flat surface, pinch the curtain clips to detach the slat curtain from the roller tube.



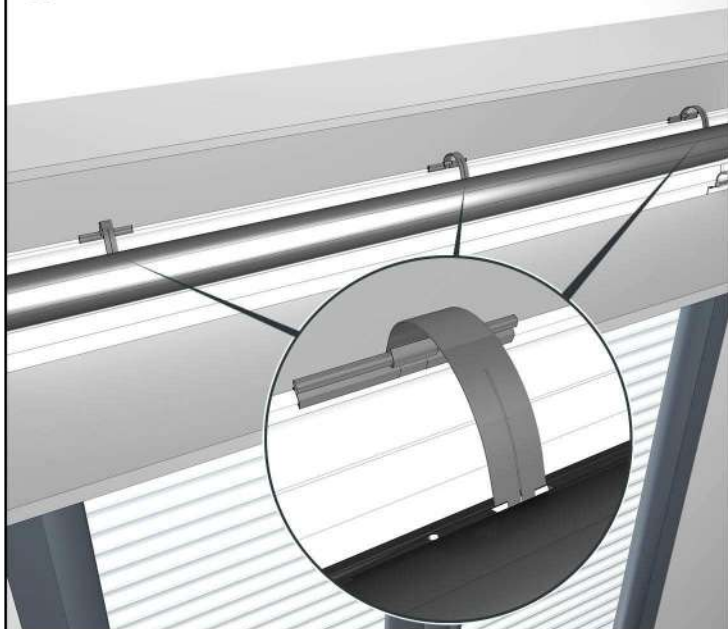
- 6** Position the tube by first fitting the motor side (A). Then fit the end of the tube into the square bracket (B).



9 Starting with the bottom slat position the slat curtain between the tracks, and let it descend gently.



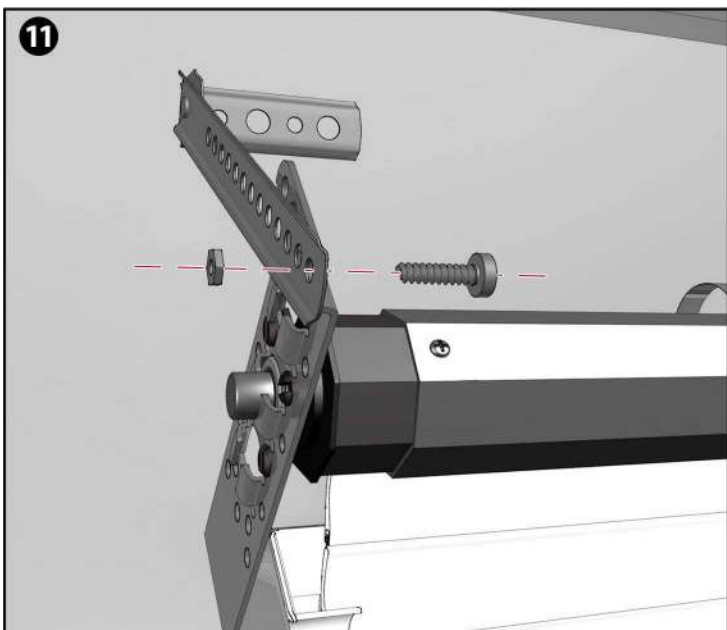
10



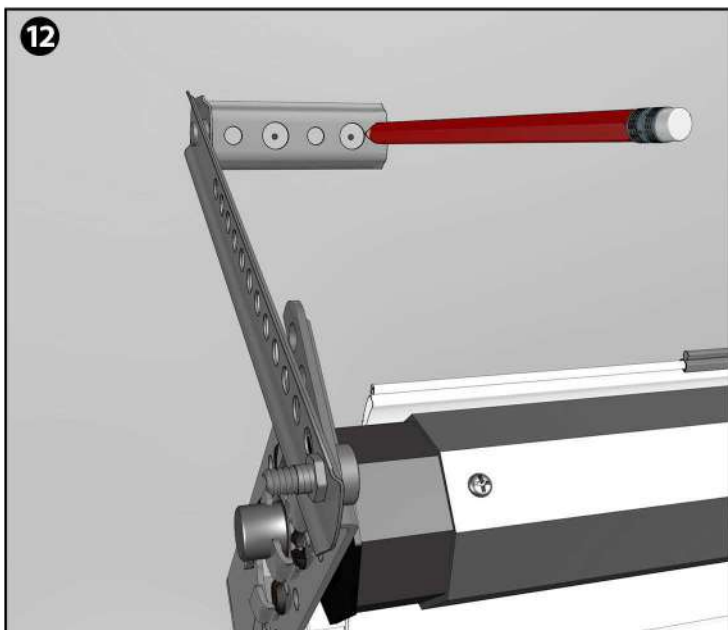
POSITIONING WALL STRUT BRACKETS (optional but recommended)

Steps to be carried out on each side of the axis.

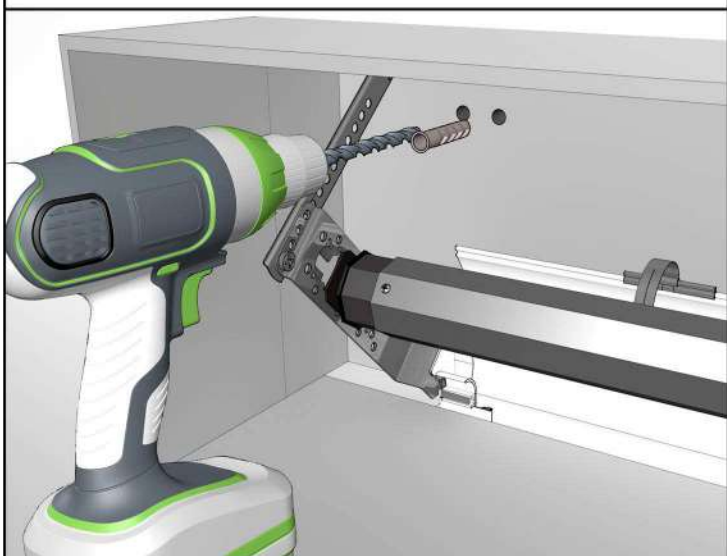
11



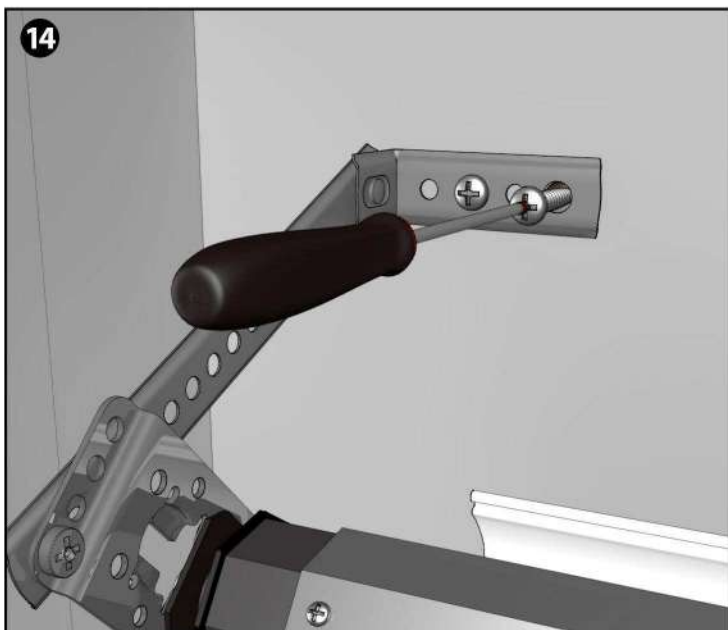
12



13 Turn the struts so that you can drill as needed.



14



- 1** Apply a silicon seal around your join to ensure complete insulation. If you'd like to match your silicon colour to your shutter - go to <http://avosdim.com/uk> and find your product or get in touch to find out the specific RAL.



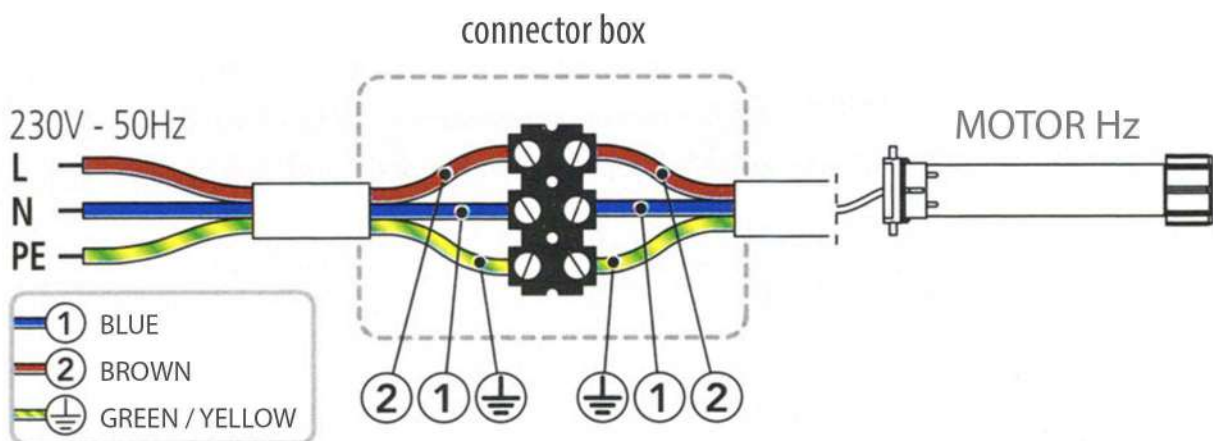
- 2** If you have a larger gap to fill - try a foam seal or similar.





Before any adjustments...
TURN OFF THE POWER SUPPLY

1 Referencing the diagram - make the connections.



2 Setting motor stop limits.

After connecting the roller shutter to the mains, restart the power.

Setting shutter direction

- A** Simultaneously press **up** and **down** controls to begin configuration. Then each individually. (Telis remotes only - not possible with Inis)

If the curtain goes up instead of down, or vice versa proceed to step B. If the curtain responds correctly, proceed directly to the *Setting Stop Limits* section.

- B** Simultaneously press both the **up** and **down** buttons on the remote.

A brief back and forth movement of the shutter will validate the procedure.

- C** After correctly initiating the process in the previous step - press the **my** button.

A similar up and down movement will validate the reversal of the shutter direction.



Setting motor stop limits

- A** Simultaneously press the **my** and **down** for 1 second - then release both buttons.

The shutter will start to lower.

- B** Wait for the shutter to reach the required lower limit point and press the **my** button.

It is possible to keep adjusting by pressing the **down** button then the **my** button.

- C** Press the **my** button until a short movement back and forth confirms the procedure.

The lower stop limit is now set.



- D** Simultaneously press the **my** and **up** buttons for 1 second, then release both.

The shutter will start to raise.

- E** Wait for the shutter to get to the required upper limit, then press the **my** button.

It is possible to keep adjusting by pressing the **up** key and stopping with the **my** button.

- F** Press the **my** button until a short movement back and forth confirms the procedure.

The upper limit is now set.



Installation FAQ

My motor keeps going at the top and/or bottom:

The stop limits have to be set on your shutter, please refer to page 8.

My motor stops while setting the limits:

The motor shuts down automatically when overheated - try again in 10 minutes.

My shutter doesn't go all the way down or all the way up:

The stop limits are incorrectly adjusted - refer to page 8 and reset them.

My shutter jams on it's way down or up:

A shutter slat may have moved to one side - check the alignment and try again.

My motor doesn't respond to my remote control:

Check the batteries and try to re-pair with your motor.

Why aren't my shutter guides pre-drilled?

We leave the drilling to you as each configuration is different - please refer to the installation manual.

Is the control side chosen while inside facing out or outside facing in?

The control side is based on your right or left from inside facing out.

My stop limits aren't configured correctly:

Please refer to and follow the steps detailed on page 7.

My tube seems too short :

It is normal that the tube is shortened a bit so that you can correctly position it between the 2 brackets. The retractable tip is designed to make up for this.

Helpful Tips

If you have several motorized roller shutters, we advise you to distribute them on different circuit breakers in order to be able to work independently if a problem arises with one.

In the event of a storm, open or close the roller shutter completely, the intermediate positions creating a wind pocket.