

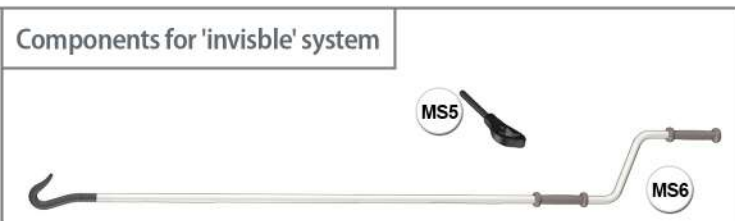
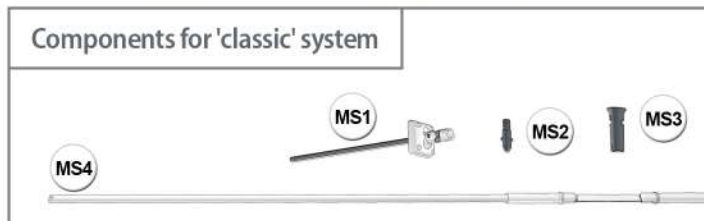
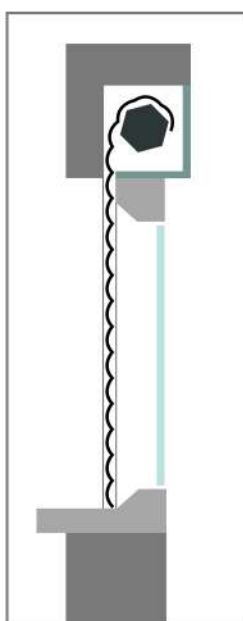
MADE TO MEASURE INTEGRATED ROLLER SHUTTER REMOTE CONTROL MOTOR - MANUAL OVERRIDE

Dear Customer,

Thank you for purchasing one of our roller shutters. We hope you find the installation process smooth and the product to your expectations.

Important: Please follow the instructions as closely as possible to ensure correct installation. Our products are guaranteed on any manufacturing defect - however, we can not be held responsible for errors in installation.

Recommendation : provide entry / exit access to the home without an electric shutter (in the event of prolonged power outage).



This notice is made up of different sections:

- Preparing the elements - page 2
- Shutter Installation - page 3
- Setting motor stop limits - page 6
- Installation of the crank with the classic system - page 8
- Use of the emergency crank (classic or invisible system) - page 9
- Installation FAQ - page 10

This manual uses a right hand side controlled roller shutter as an example. Adapt your installation according to your configuration.

The motor stop limits are usually set during factory assembly.

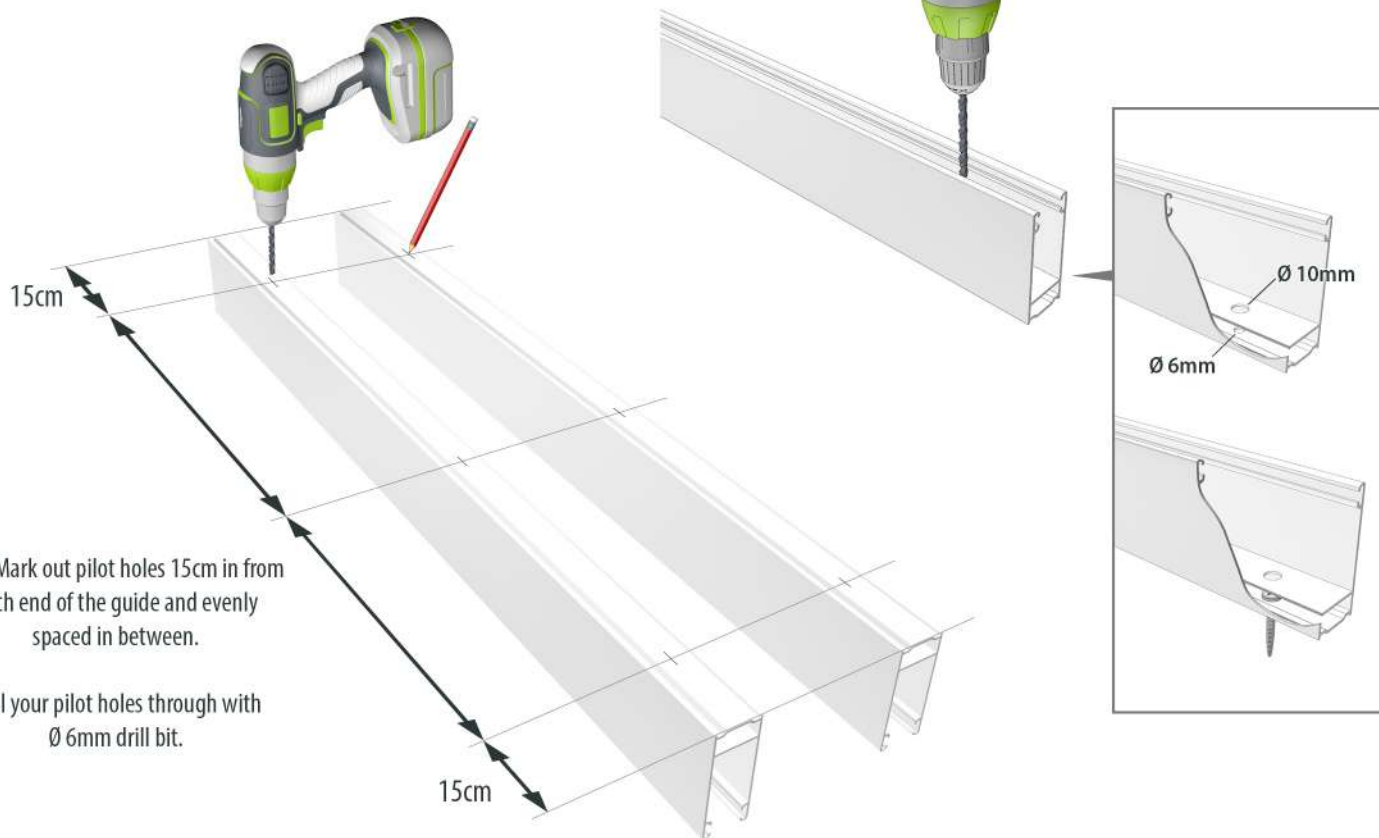
PREPARING THE ELEMENTS

1

B Flip the guides and drill the inside pilot hole with $\varnothing 10\text{mm}$ drill bit. This allow passage of the screw head for a neater and more secure installation.

A Mark out pilot holes 15cm in from each end of the guide and evenly spaced in between.

Drill your pilot holes through with $\varnothing 6\text{mm}$ drill bit.



2

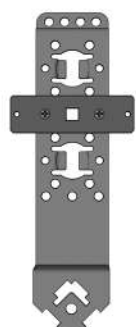
Facing the window (inside), pick the appropriate side bracket to be assembled according to the control side chosen.



P bracket LEFT SIDE



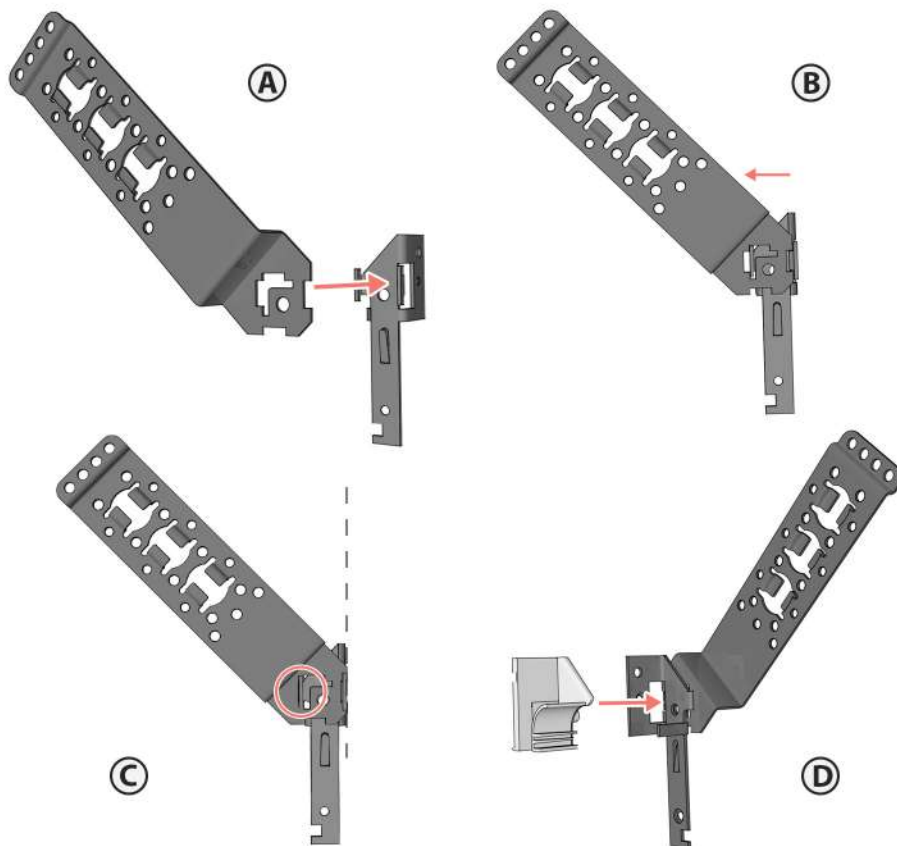
P bracket RIGHT SIDE



Square bracket
MOTOR SIDE

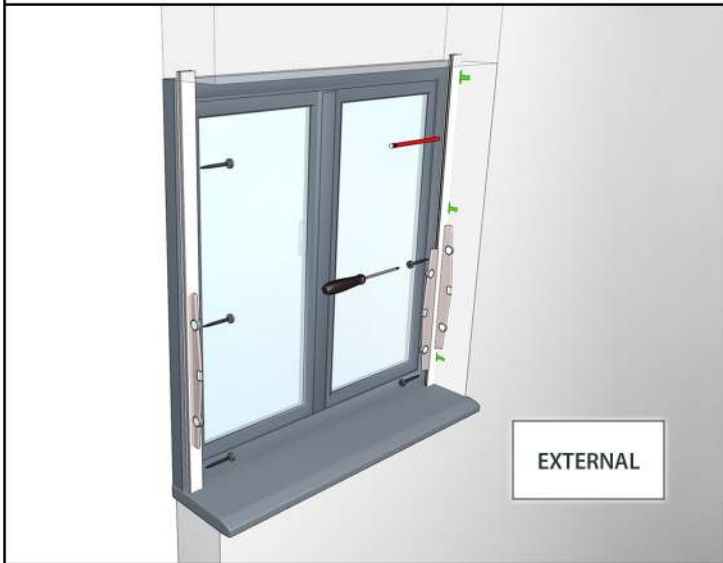


Square bracket
OPPOSITE SIDE



INSTALLATION TYPE

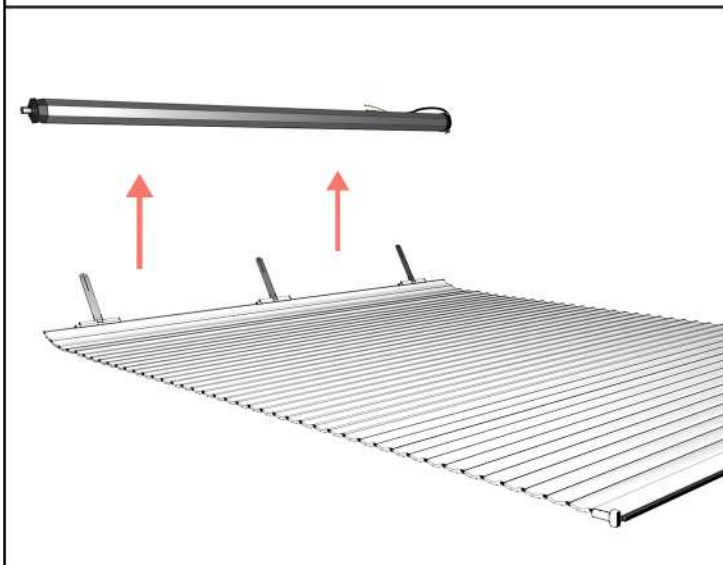
- 3** Place the tracks against the wall according to their direction and check the levels. Pack and level if necessary. Mark out the fixing points. Remove the tracks, drill the marked locations, reposition the tracks and fix.



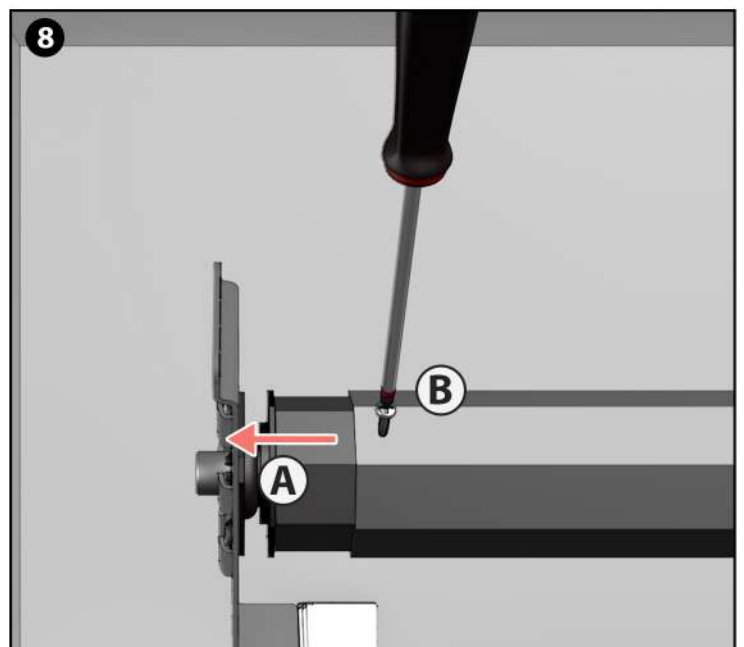
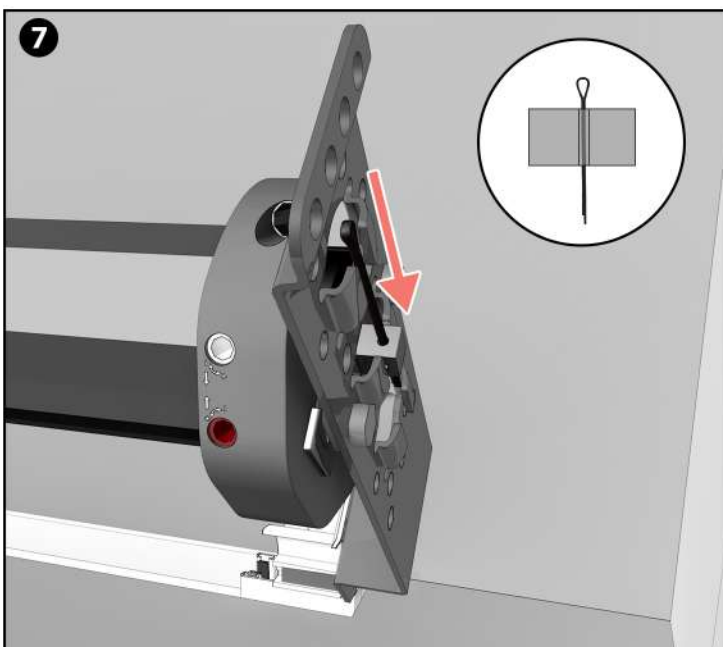
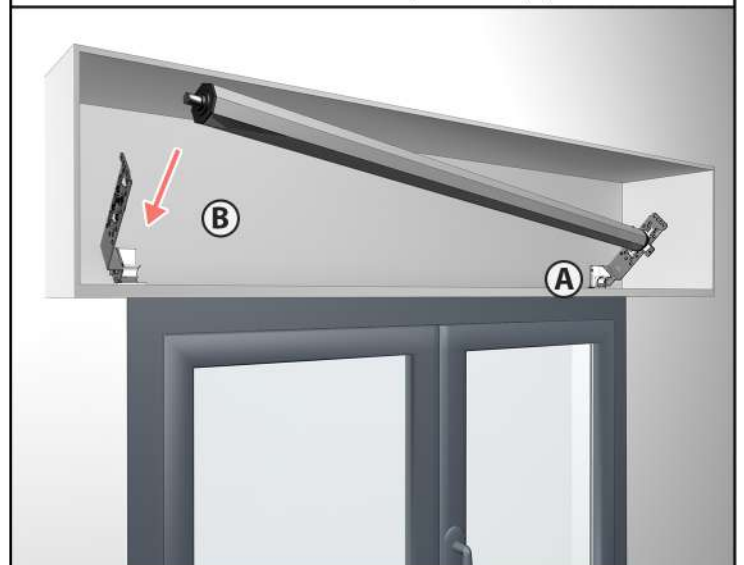
- 4** Assemble the P brackets + square brackets + entry guides on the tracks. For this installation, our motor is on the right.



- 5** On a flat surface, pinch the curtain clips to detach the slat curtain from the roller tube.



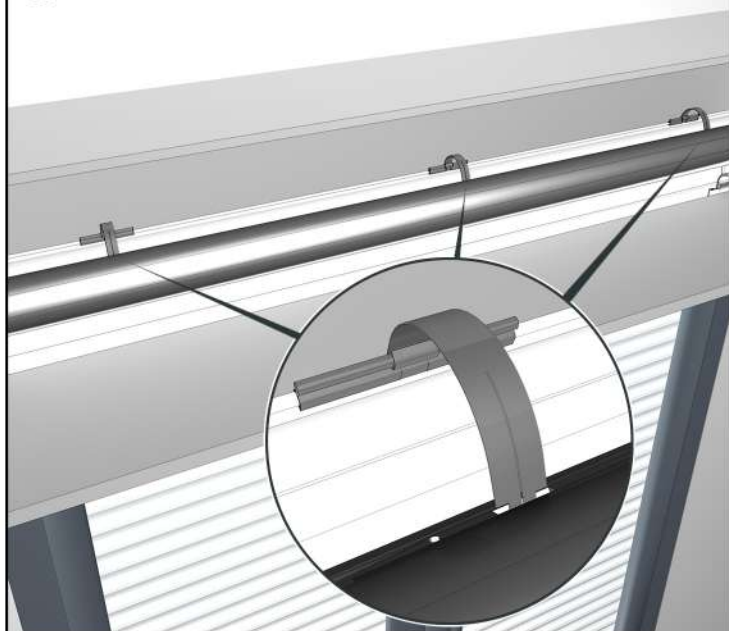
- 6** Position the tube by first fitting the motor side (A). Then fit the end of the tube into the square bracket (B).



- 9** Starting with the bottom slat position the slat curtain between the tracks, and let it descend gently.



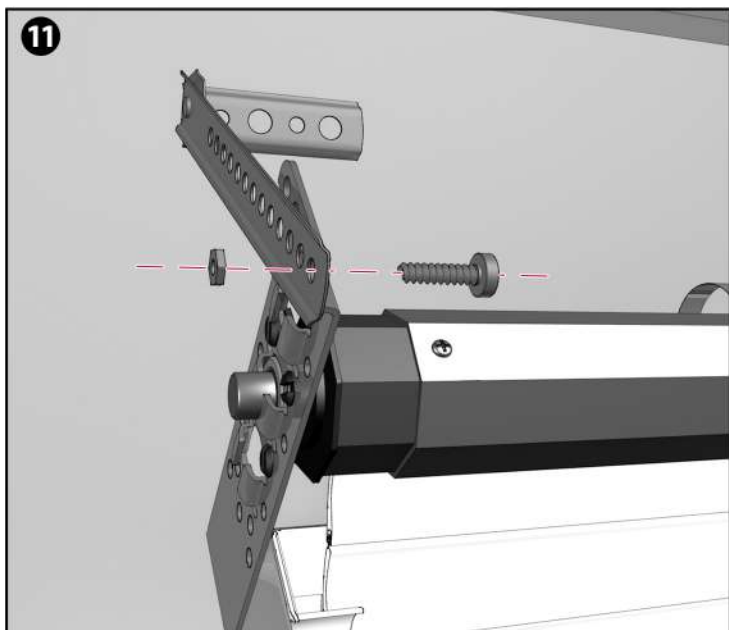
10



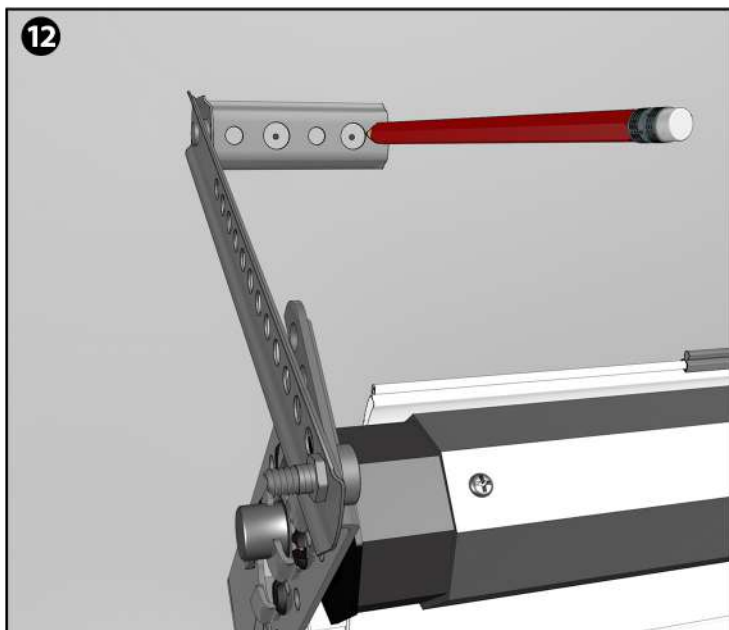
POSITIONING WALL STRUT BRACKETS (optional but recommended)

Steps to be carried out on each side of the axis.

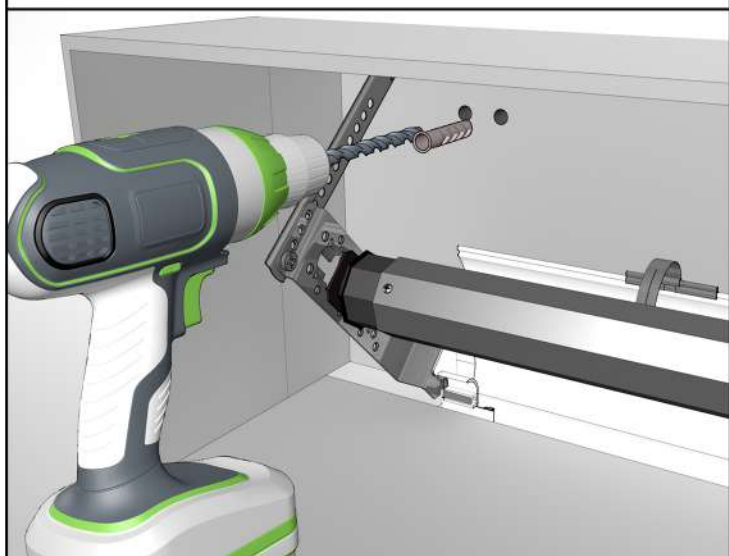
11



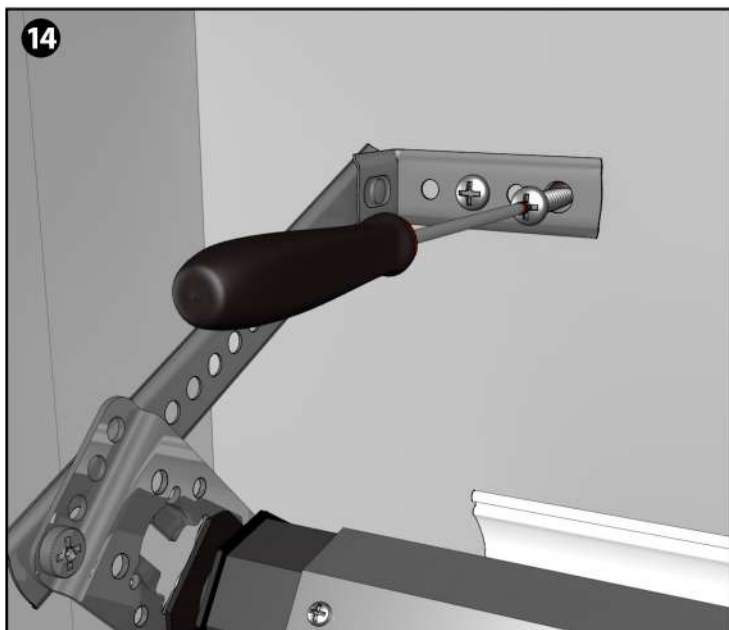
12



- 13** Turn the struts so that you can drill as needed.



14



FINISHING

- 1 Apply a silicon seal around your join to ensure complete insulation. If you'd like to match your silicon colour to your shutter - go to <http://avosdim.com/uk> and find your product or get in touch to find out the specific RAL.



- 2 If you have a larger gap to fill - try a foam seal or similar.

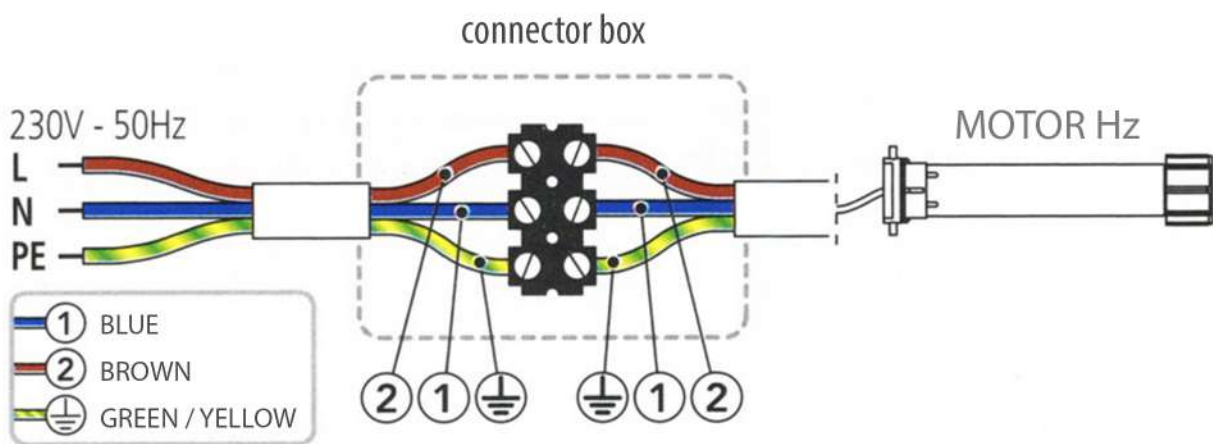


SETTING MOTOR STOP LIMITS



Before any adjustments...
TURN OFF THE POWER SUPPLY

1 Referencing the diagram - make the connections.



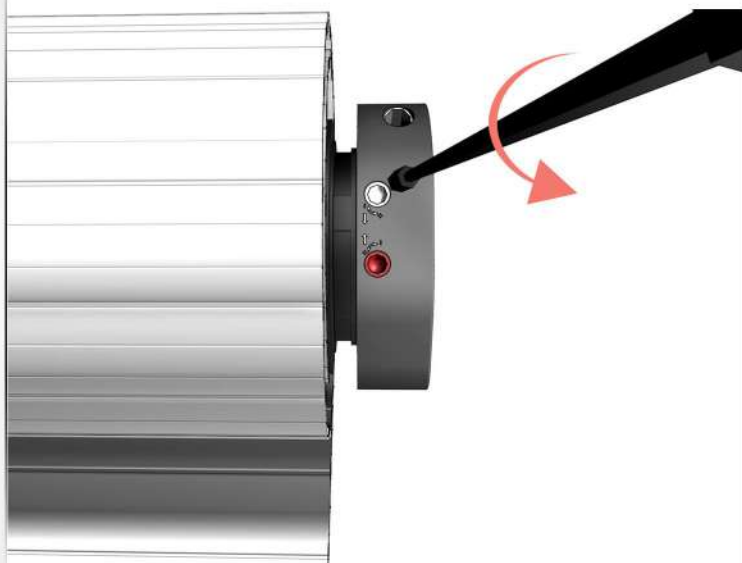
2 Setting motor stop limits.

After connecting the roller shutter to the mains, restart the power.

A Lower the shutter to halfway down.



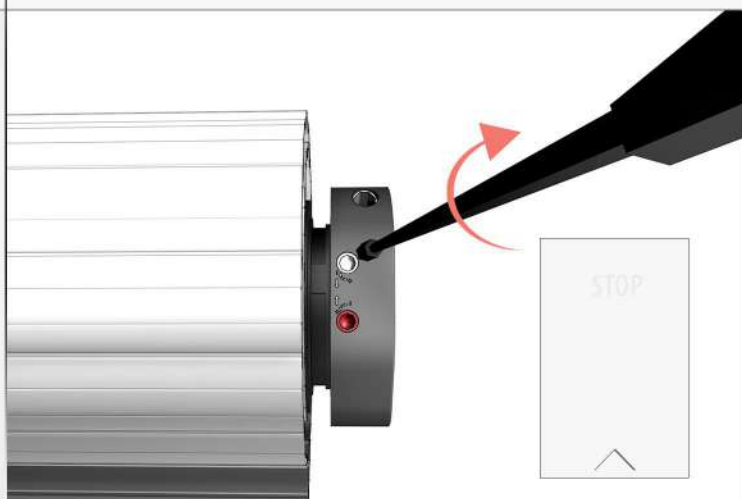
B Turn the 2 adjustment screws to the - setting



C Raise the shutter up - it will stop at a certain height.
If the shutter goes too high and comes out of the guides, reset it and lower it down again. Press the **Stop** button and repeat the previous step by doing 5 revolutions or more to the - on the 2 adjustment screws.



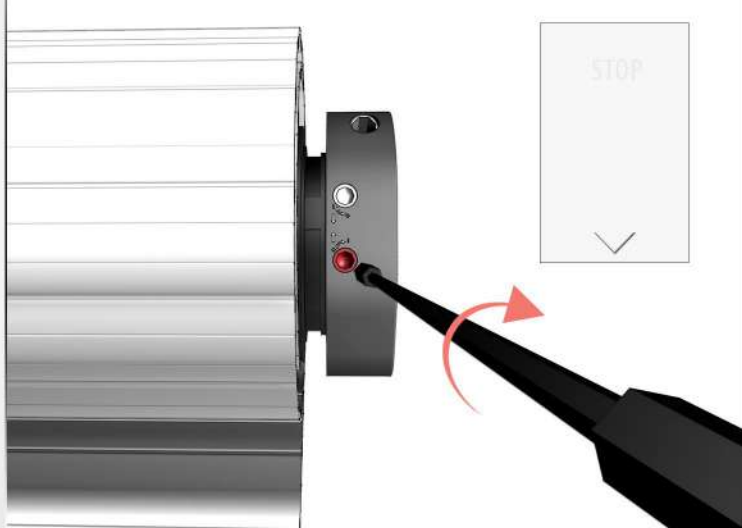
D Leave the control point in the **Up** position.
Turn one of the adjustment screws towards the + setting.
If the curtain lifts, it's for setting the upper limit.
If it doesn't move, it's for setting the lower stop limit.
Adjust the position of the upper stop by turning to the + setting.



E Lower the shutter - it will stop at a certain height. If the motor continues once the shutter reaches the bottom of the guides, press the **Stop** button and make a few turns to the - on the lower adjustment.

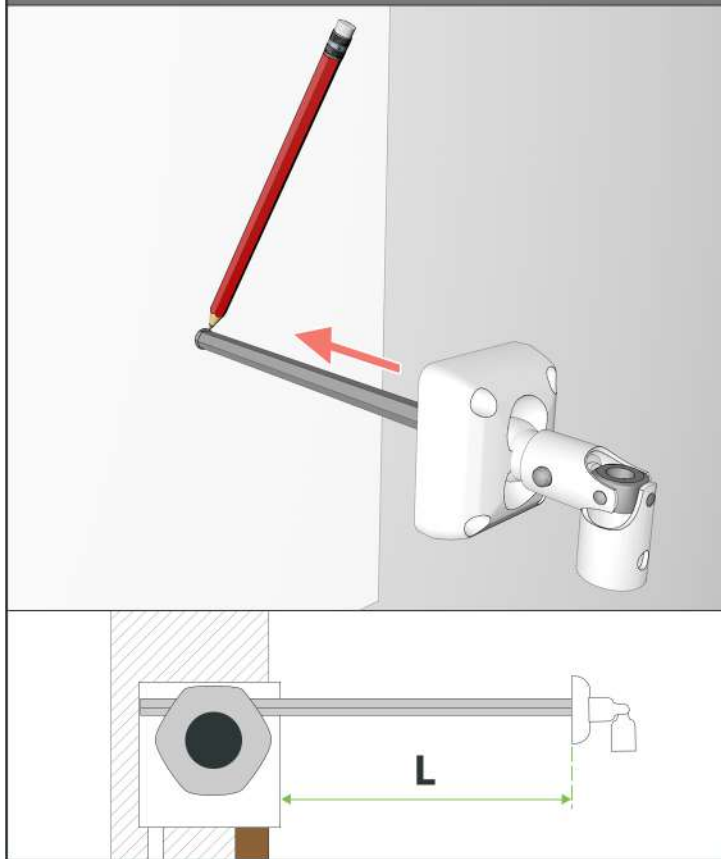


F Leave the control point in the **Down** position.
Set the lower stop limit by turning to the + .

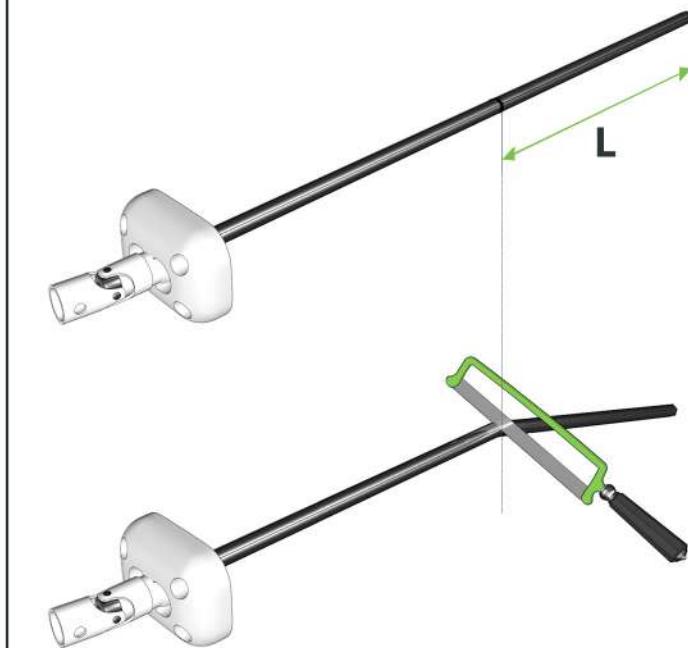


INTERNAL OVERRIDE INSTALLATION (OPTIONAL)

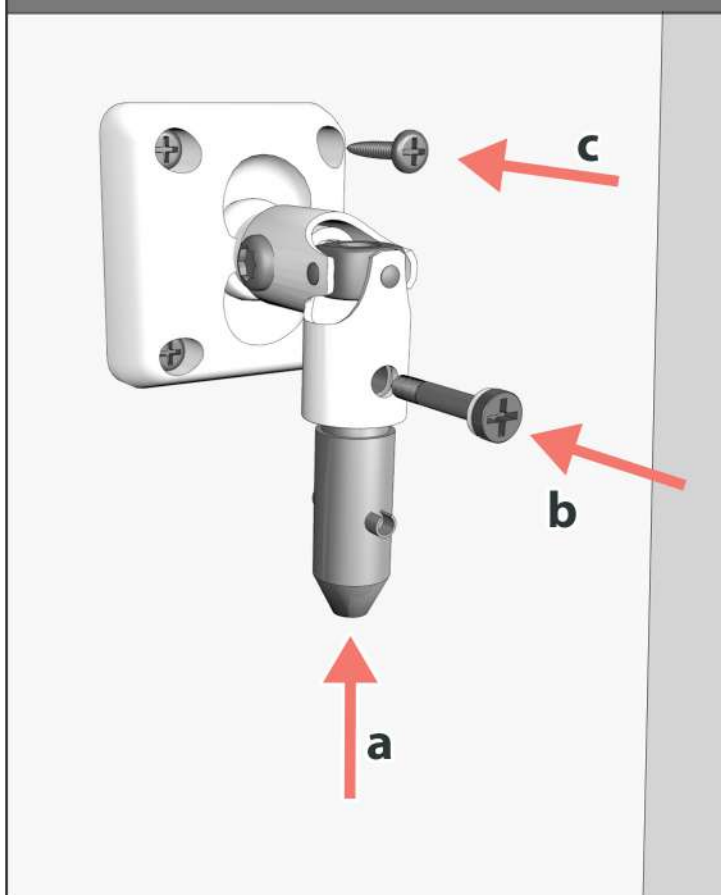
- 1** From inside, insert the override rod (MS1) through the pre-drilled hole and into the override drive on the motorhead. Mark excess rod (L).



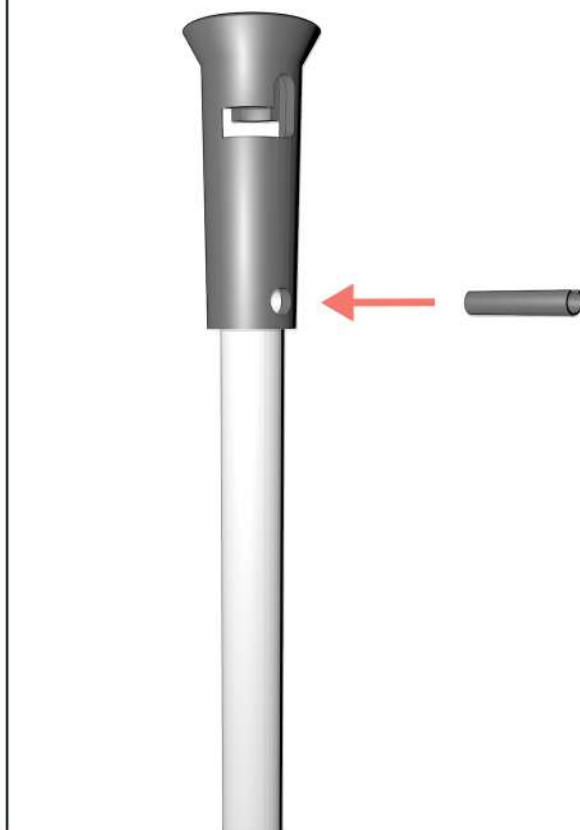
- 2** Cut off the excess override rod (L). File if necessary.



- 3** Attach part MS2 into MS1 and screw fix as required.

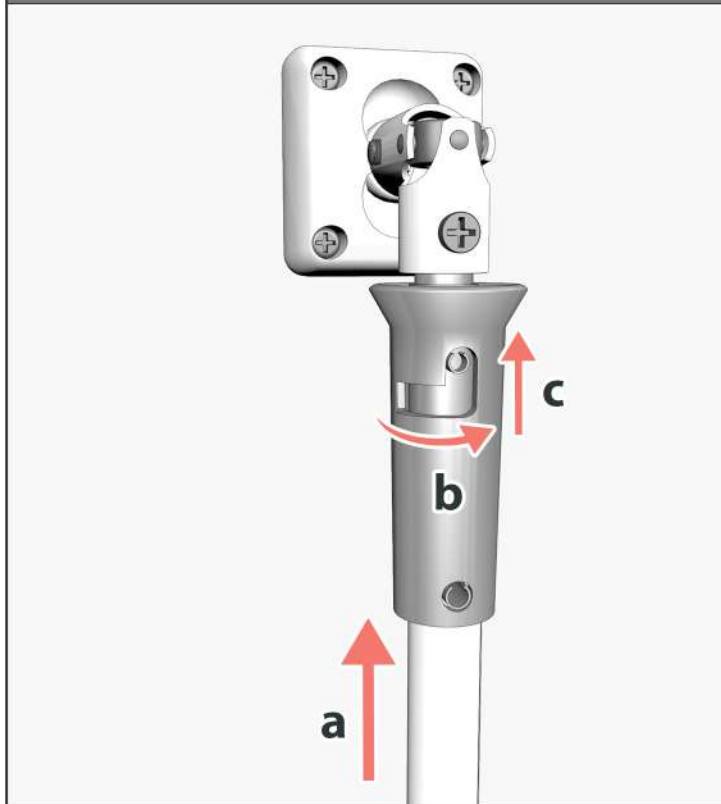


- 4** Connect part MS3 to the crank (MS4) using the small metal tube.

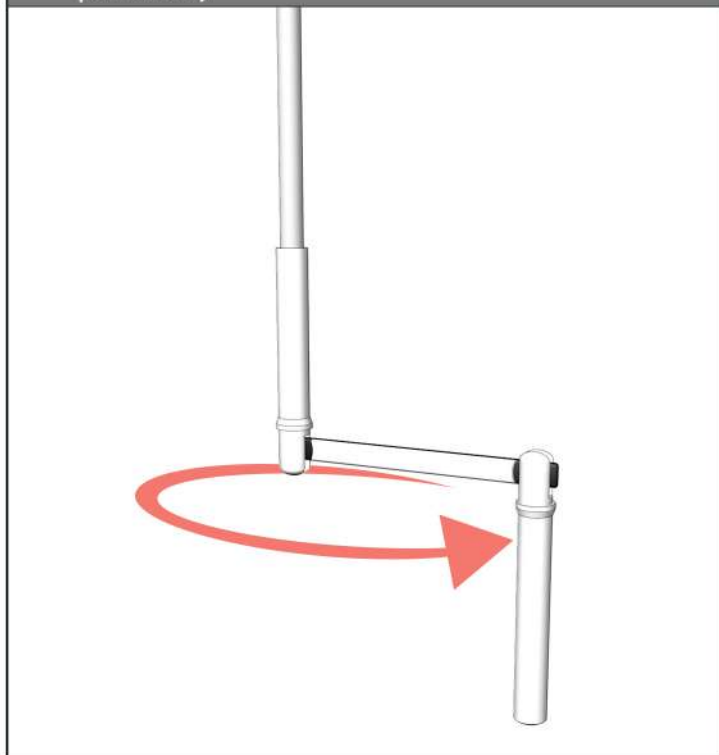


USE OF THE CLASSIC SYSTEM OVERRIDE CRANK

- 1 Attach the crank to part MS2, and turn to lock into position.

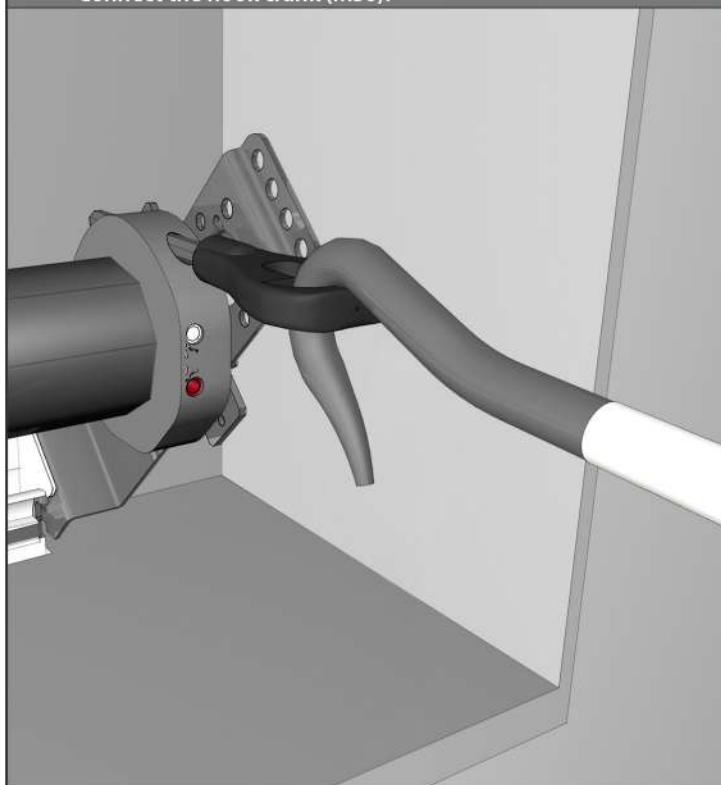


- 2 Turn the crank to raise or lower the shutter manually as needed. The crank can be removed from the drive sleeve or left in place permanently.

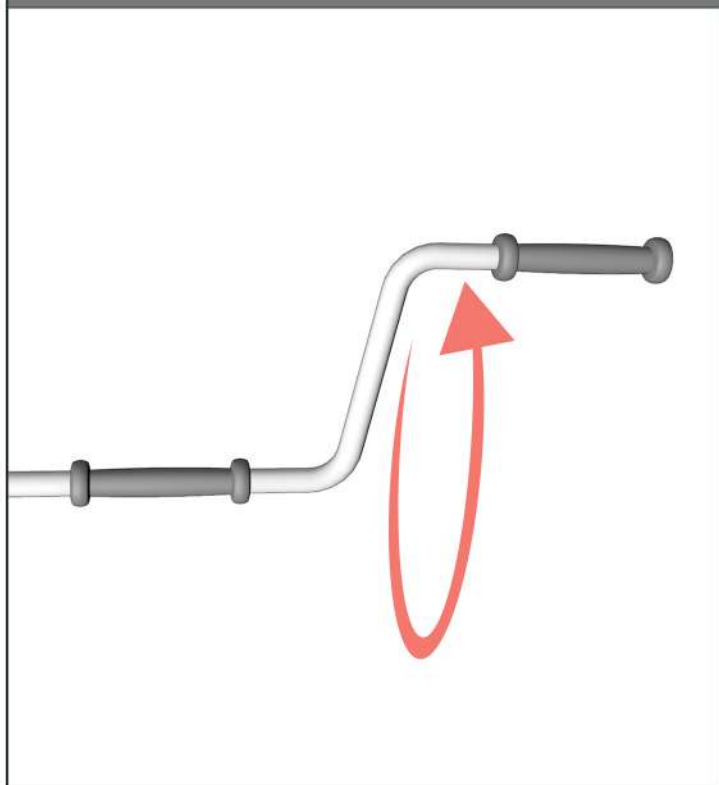


USE OF THE INVISIBLE SYSTEM OVERRIDE CRANK

- 1 Open the shutter casing to access the mechanism. Insert the override ring key (MS5) into the override drive. Connect the hook crank (MS6).



- 2 Turn the crank to raise or lower the shutter as needed. Remove the crank and the override key after use.



Installation FAQ

My motor keeps going at the top and/or bottom:

The stop limits have to be set on your shutter, please refer to page 8.

My motor stops while setting the limits:

The motor shuts down automatically when overheated - try again in 10 minutes.

My shutter doesn't go all the way down or all the way up:

The stop limits are incorrectly adjusted - refer to page 8 and reset them.

My shutter jams on it's way down or up:

A shutter slat may have moved to one side - check the alignment and try again.

My motor doesn't respond to my remote control:

Check the batteries and try to re-pair with your motor.

Why aren't my shutter guides pre-drilled?

We leave the drilling to you as each configuration is different - please refer to the installation manual.

Is the control side chosen while inside facing out or outside facing in?

The control side is based on your right or left from inside facing out.

My stop limits aren't configured correctly:

Please refer to and follow the steps detailed on page 7.

My tube seems too short :

It is normal that the tube is shortened a bit so that you can correctly position it between the 2 brackets. The retractable tip is designed to make up for this.

Helpful Tips

If you have several motorized roller shutters, we advise you to distribute them on different circuit breakers in order to be able to work independently if a problem arises with one.

In the event of a storm, open or close the roller shutter completely, the intermediate positions creating a wind pocket.