

MADE-TO-MEASURE DOMESTIC ROLLER SHUTTER -SPRING & LOCK

Dear Customer,

Thank you for purchasing one of our roller shutters. We hope you find the installation process smooth and the product to your expectations.

Important: Please follow the instructions as closely as possible to ensure correct installation.

Our products are guaranteed on any manufacturing defect - however, we can not be held responsible for errors in installation.

We recommend assembling your shutter on an available flat surface before fixing in place if possible.

This manual is made up of five sections:

- Shutter Installation - page 2
- Spring tension - page 9
- Installation FAQ - page 10

The spring tension is set before leaving the factory.



Possible installations

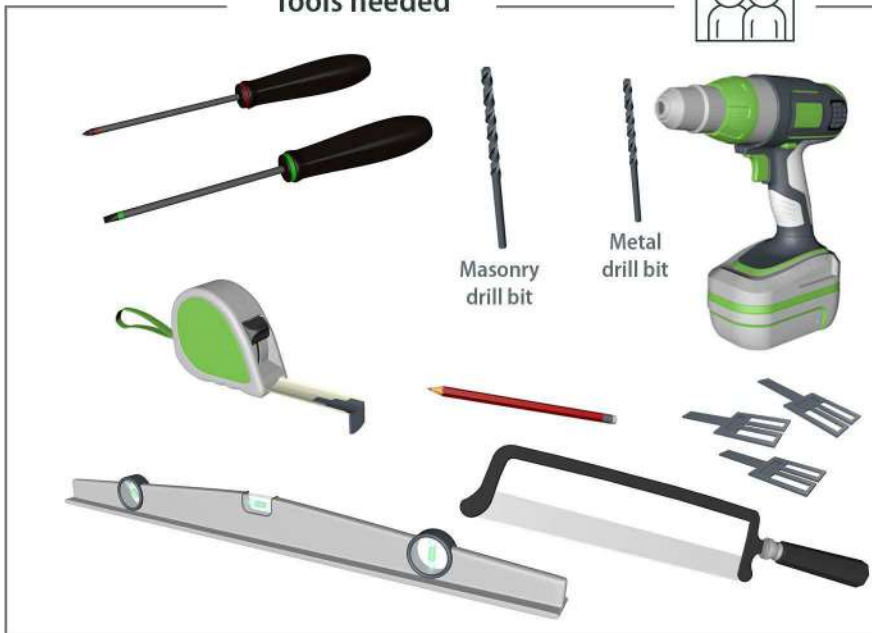
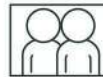
Recess fit A: Outward roller



Recess fit B: Inward roller



Tools needed

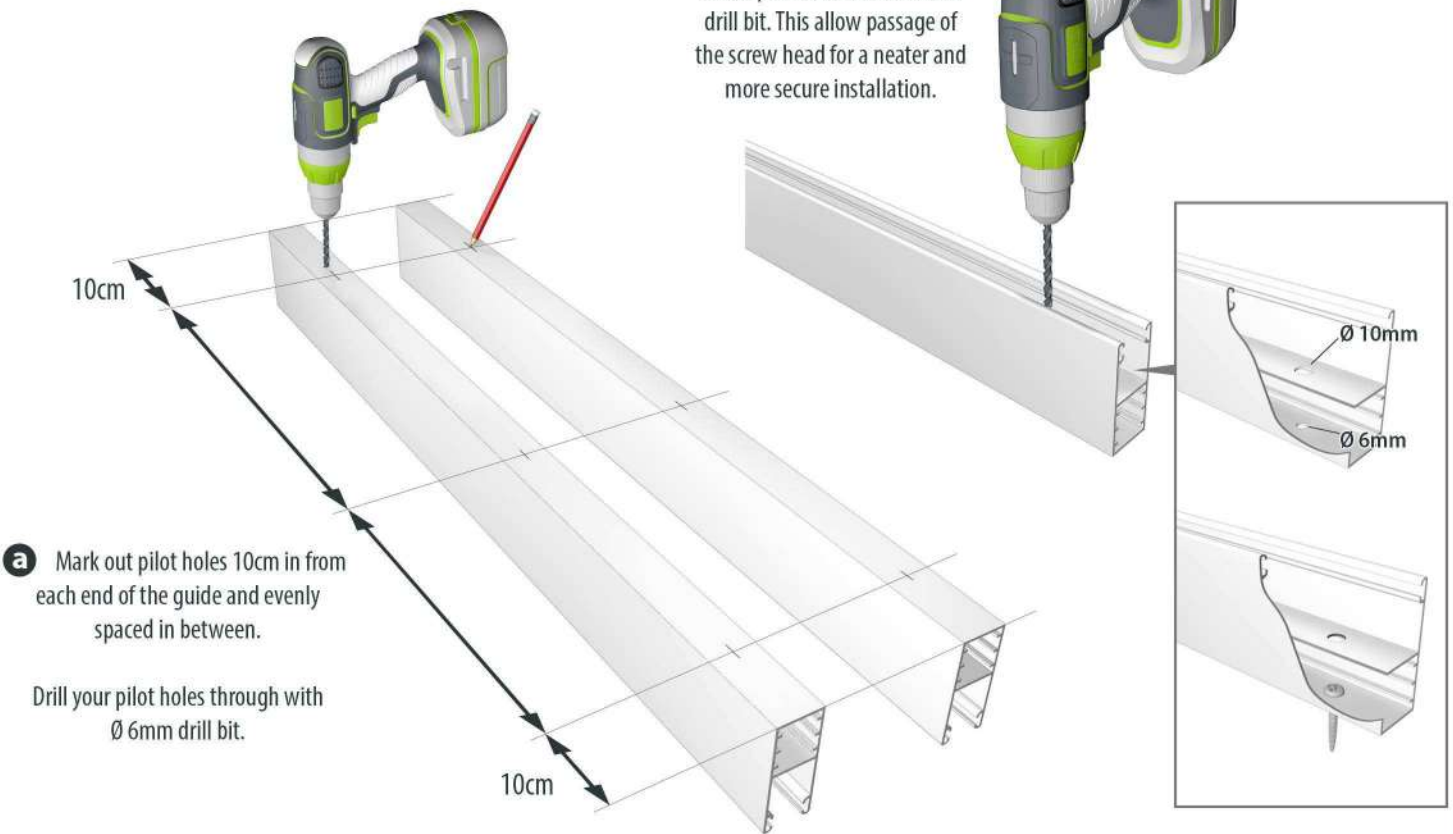


Face fit: Outward roller

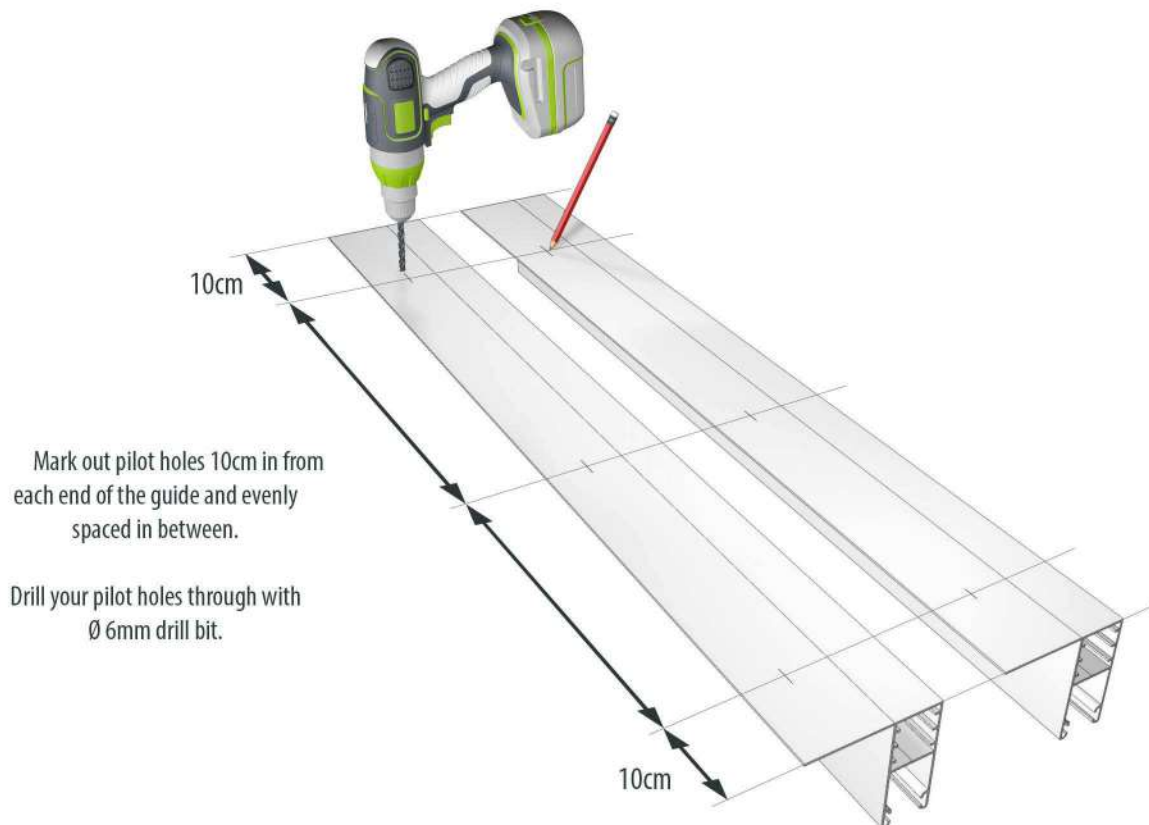


1 Prepare the guides

How to drill the "U" guides for recess fitting :

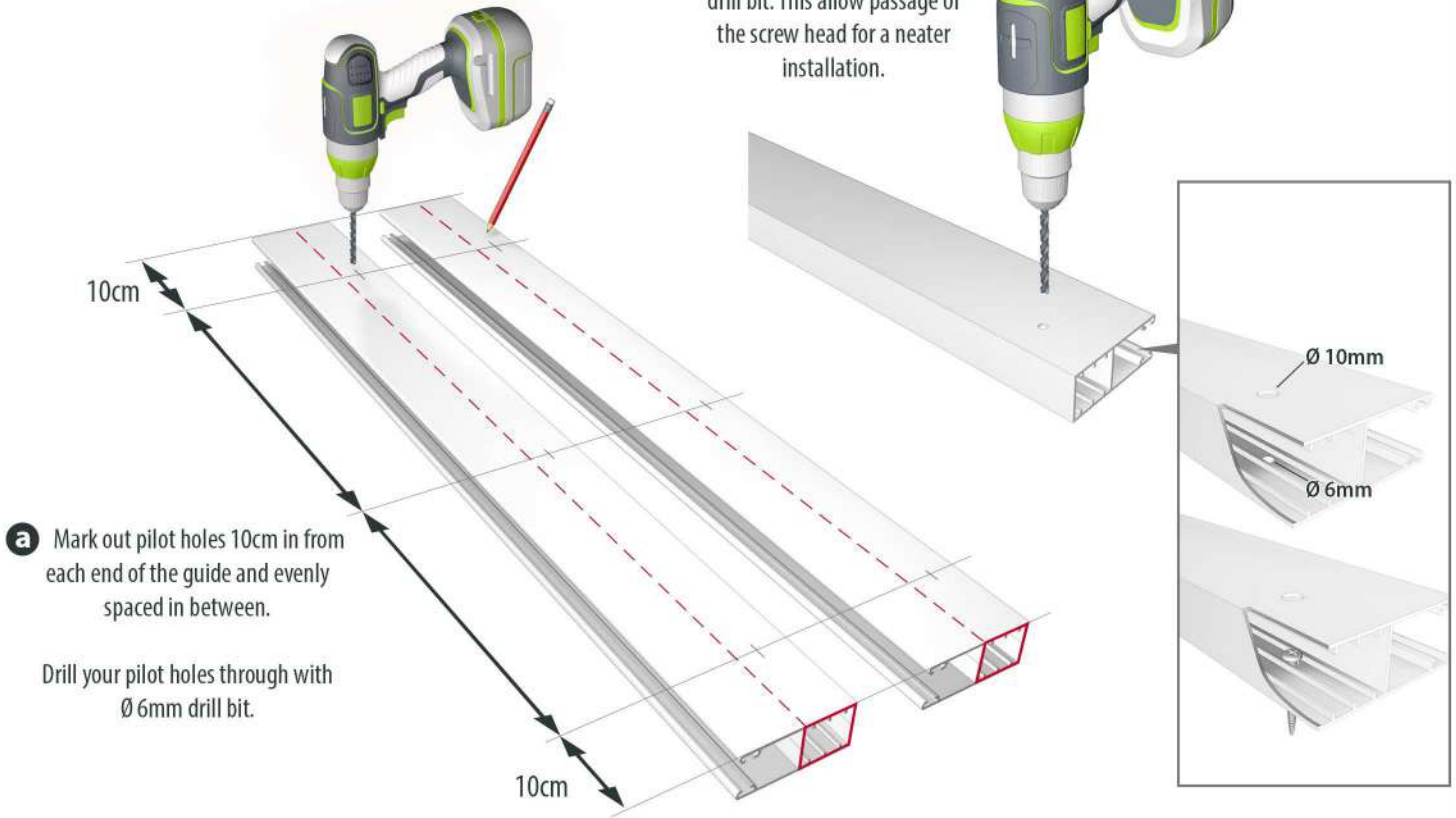


How to drill the "L" guides for recess fitting :



How to drill the guides for face fitting :

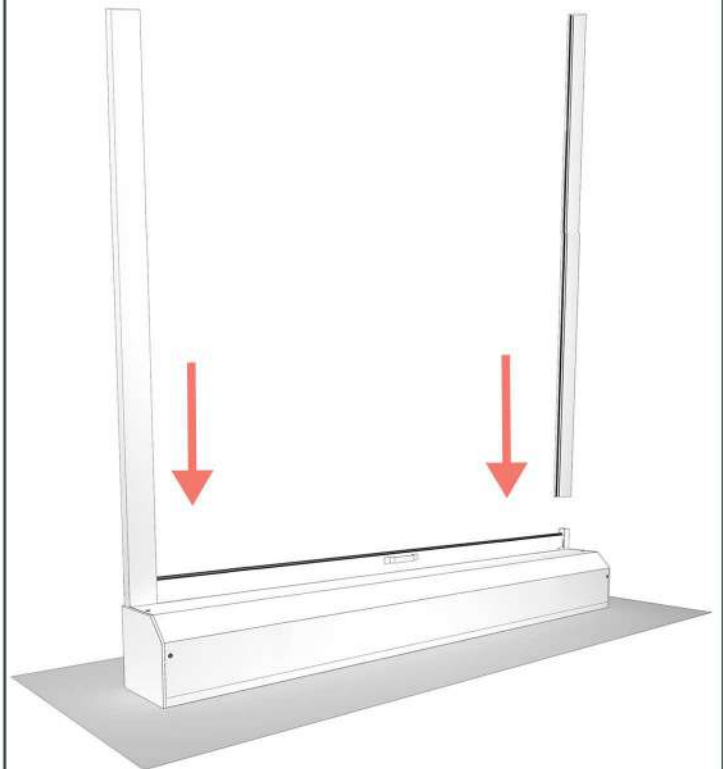
b Flip the guides and drill the outside pilot hole with $\varnothing 10\text{mm}$ drill bit. This allow passage of the screw head for a neater installation.



2 For face fit installations only:
Fit end pieces into the bottom of the guides.



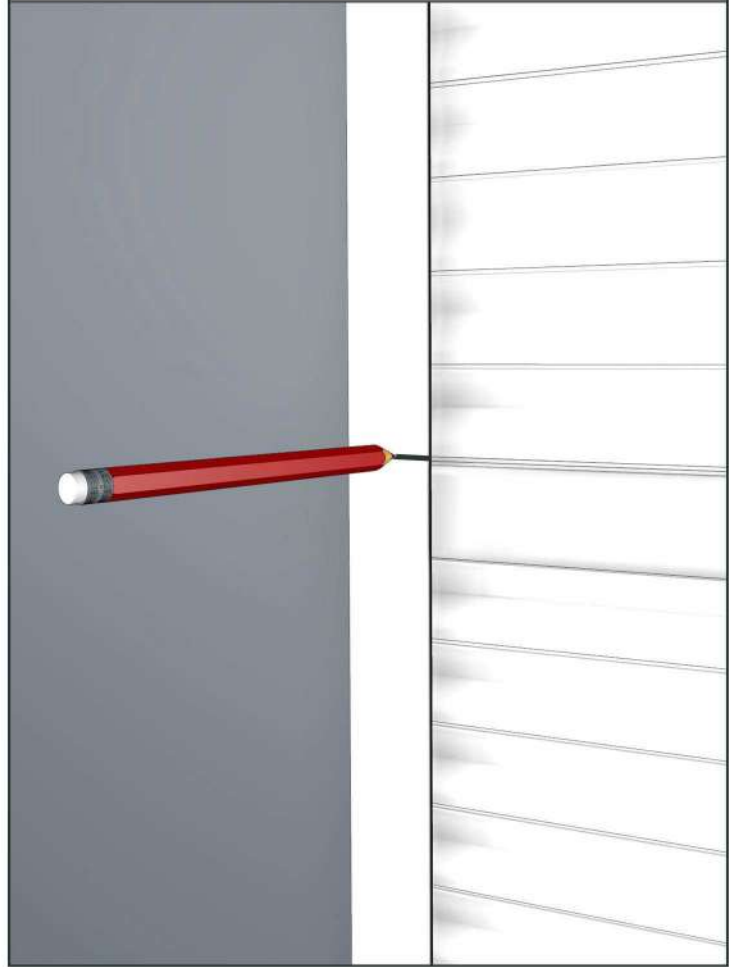
3 Slot the guides onto the upturned roller shutter box.



4 Place shutter against a wall and lower the shutter curtain - hold closed using the handles provided.



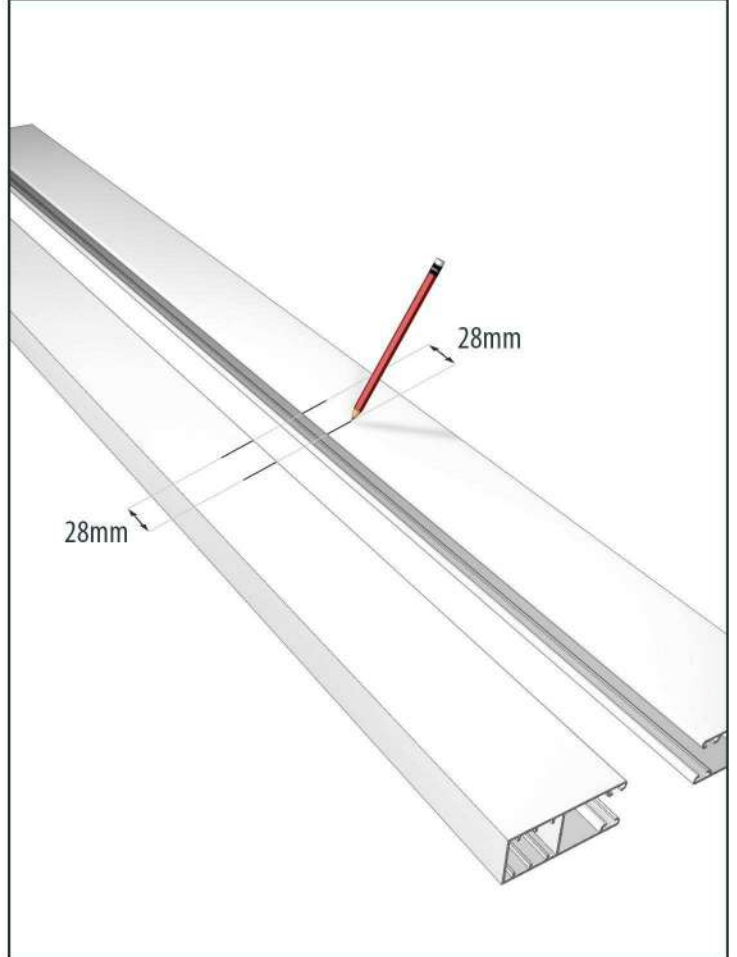
5 While keeping the curtain closed - mark the level at the top of the lock slat on each side of the shutter curtain.



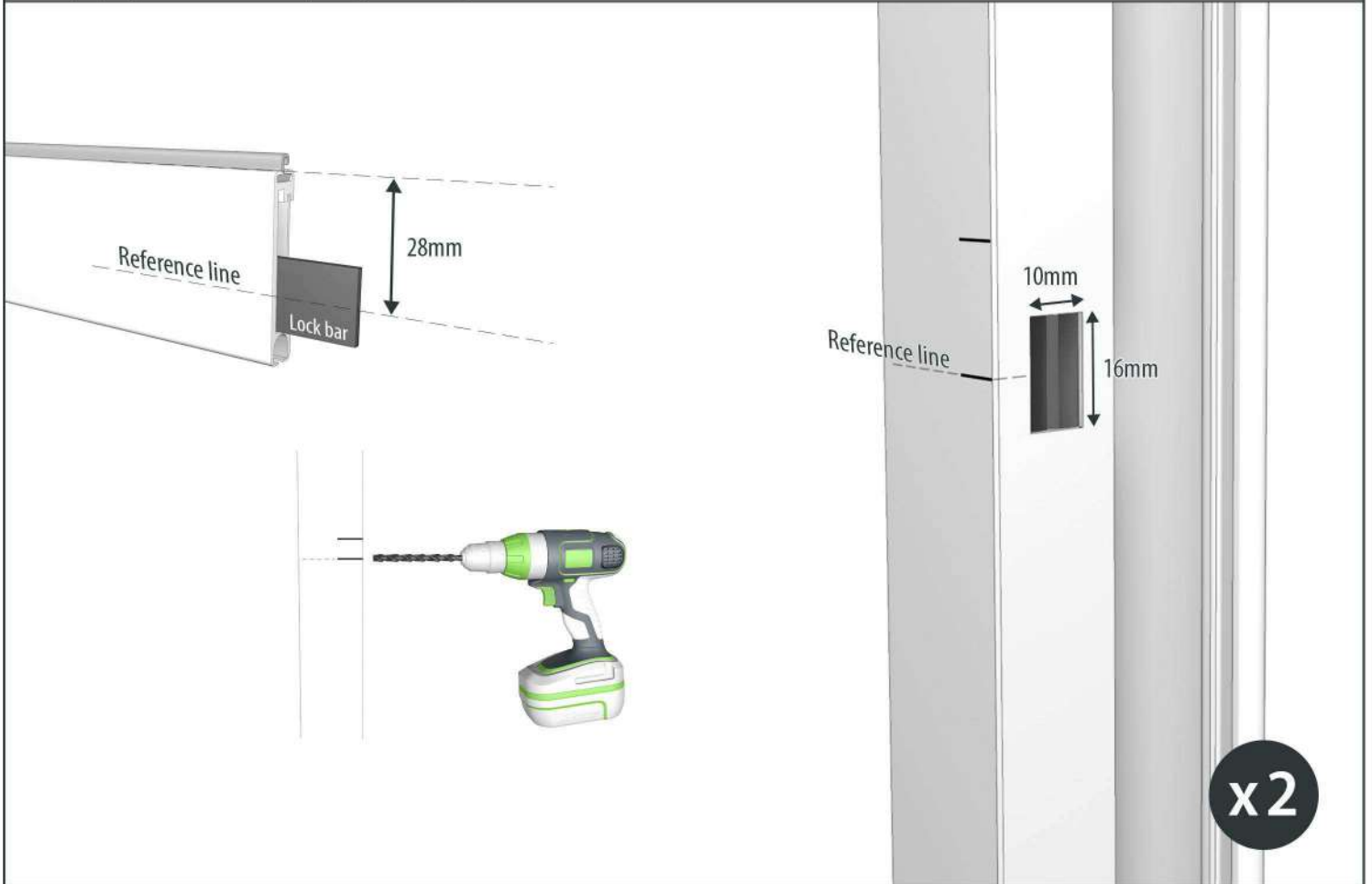
6 Raise the curtain back up.



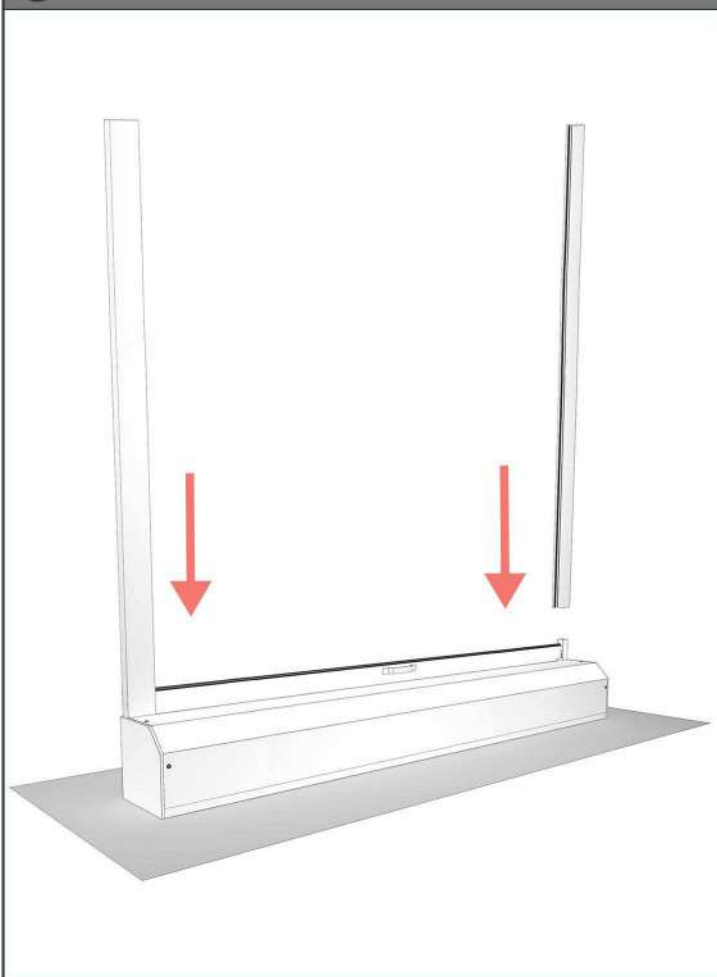
7 Remove the guides. Mark 28mm below your slat level mark on each side.



8 Using the new line as a reference - evenly drill out a passageway for the lock bar, approximately 10mm by 16mm. Test the bar has sufficient room to lock properly and file down the opening if necessary.



9 Slot the guides onto the upturned roller shutter box.



10 Before installation, please double check your dimensions correspond to your roller shutter.

If you have purchased a made to measure roller shutter from us and the dimensions aren't what you ordered - please get in touch.

Slot the guides back into the box, with the previously drilled 6mm diameter pilot holes against the frame/wall. Put the complete shutter into position and adjust until levelled.

Once levelled mark out your guide fixing points for drilling.



11 Remove the shutter and drill pilot holes for your guide support screws.



12 Screw the shutter guides to their fixing points.



FINISHING

Apply a silicon seal around your join to ensure complete insulation.

If you'd like to match your silicon colour to your shutter - go to <http://avosdim.com/uk> and find your product or get in touch to find out the specific RAL.



If you have a larger gap to fill - try a foam seal or similar.



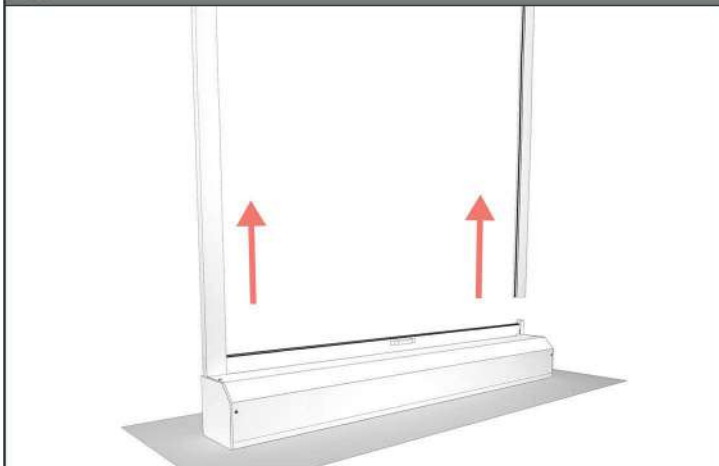
For external installations - place the screw cover caps onto the open holes.



SPRING TENSION

The spring tension should be adjusted if shutter curtain raises too quickly or not high enough.

- 1** Unmount the roller shutter and remove the tracks.



- 2** Hold the curtain firmly (1 person) to avoid it springing up and remove the end stoppers (1 person).

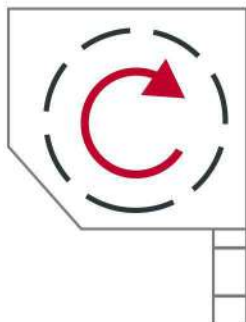


- 3** Adjust the spring tension according to the installation type (see page 2).

Curtain raises too quickly : DECREASE spring tension / Curtain doesn't raise far enough : INCREASE spring tension

For inward rollers :

To **INCREASE** tension :
Rotate the curtain in an **downward**
direction inside the box.

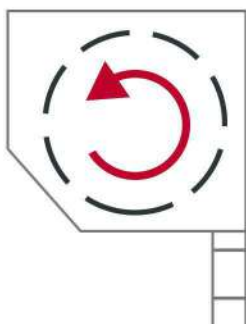


To **REDUCE** tension :
Rotate the curtain in an **upward**
direction inside the box.

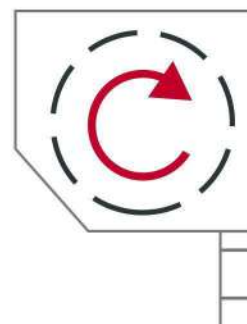


For outward rollers :

To **INCREASE** tension :
Rotate the curtain in an **upward**
direction inside the box.



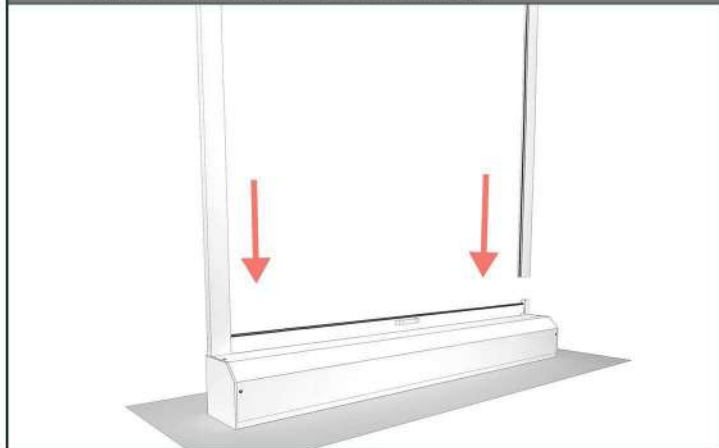
To **REDUCE** tension :
Rotate the curtain in an **downward**
direction inside the box.



- 4** Place the curtain into the entry guides, hold firmly in position (1 person), and replace end stoppers (1 person).



- 5** Replace the tracks and test spring tension to confirm it is suitable. Repeat the process if necessary.



Installation FAQ

My shutter jams on it's way down or up:

A shutter slat may have moved to one side - check the alignment and try again.

Why aren't my shutter guides pre-drilled?

We leave the drilling to you as each configuration is different - please refer to the installation manual.

The shutter curtain raises too quickly or not high enough:

The spring tension should be adjusted, please follow steps on page 9.

Helpful Tips

In the event of a storm, open or close the roller shutter completely, the intermediate positions creating a wind pocket.