

Dear Customer,

Thank you for purchasing one of our roller shutters. We hope you find the installation process smooth and the product to your expectations.

Important: Please follow the instructions as closely as possible to ensure correct installation.

Our products are guaranteed on any manufacturing defect - however, we can not be held responsible for errors in installation.

We recommend assembling your shutter on an available flat surface before fixing in place if possible.

This manual is made up of five sections:

- Shutter Installation - page 2
- Setting motor stop limits - page 8
- Installation FAQ - page 10

This manual was made using a left-sided control (yours may differ) - please adapt according to your installation.

The motor stop limits are usually set during factory assembly.



Possible installations

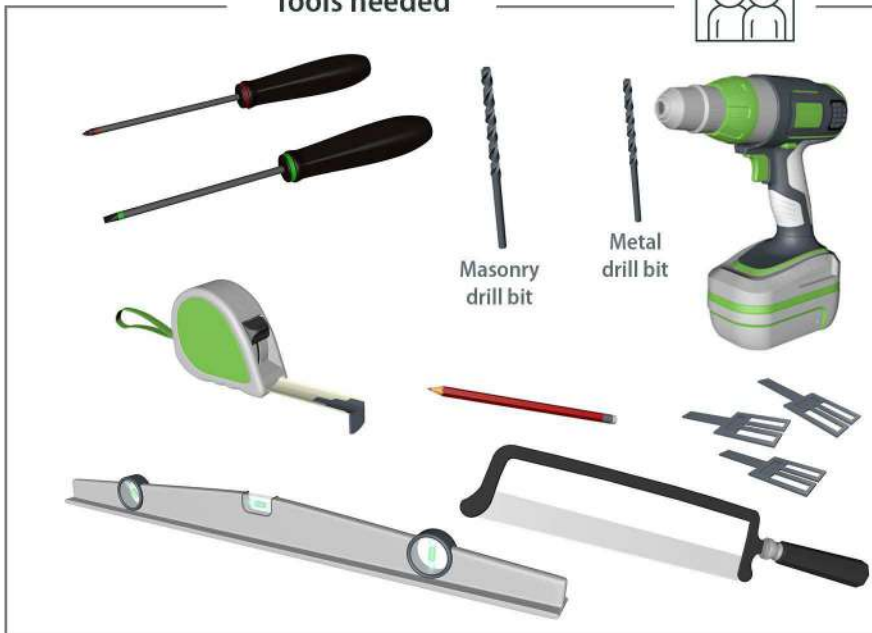
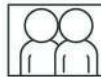
Recess fit A: Outward roller



Recess fit B: Inward roller



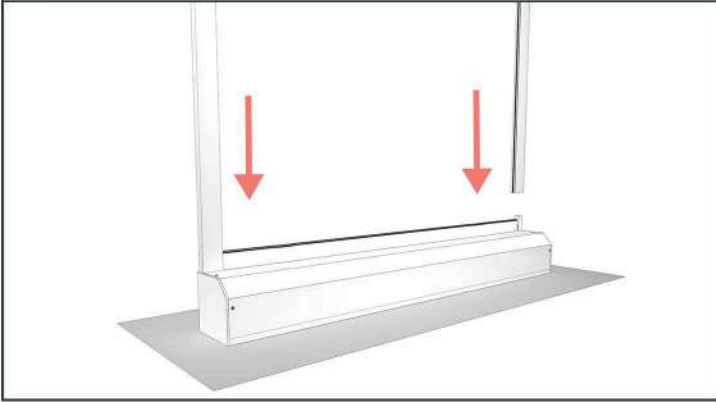
Tools needed



Face fit: Outward roller

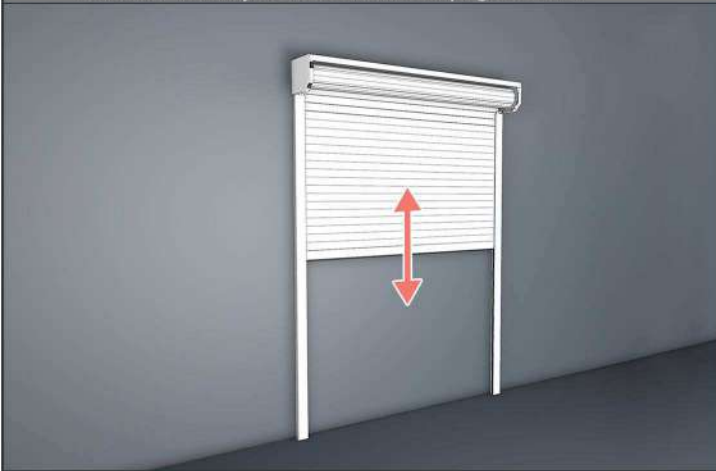


1 Slot the guides onto the upturned roller shutter box.



3 Position the shutter against a wall to check the top and bottom stop limits are correctly set.

If they are correctly set, go to the next step. If not, unscrew the box cover and adjust as instructed on page 8 and 9.



2 Before installation, please double check your dimensions correspond to your roller shutter.

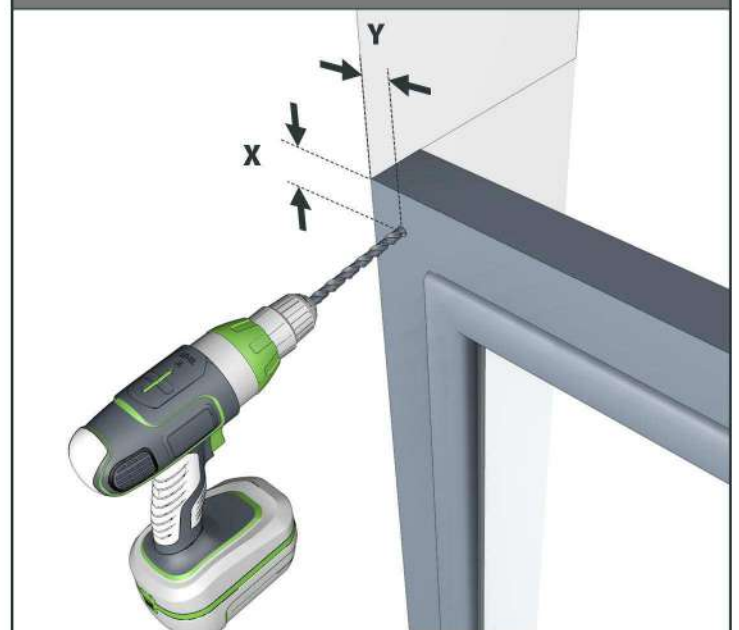
If you have purchased a made to measure roller shutter from us and the dimensions aren't what you ordered - please get in touch.



4 Measure X and Y dimensions for control output on roller box and transfer to window frame - must be set at least 30mm in. For face fit installations adapt the same principle to the wall.



5 Carefully drill according to your control type and placement. For face fit installations adapt the same principle to the wall.



Drill bit size to use

Motor

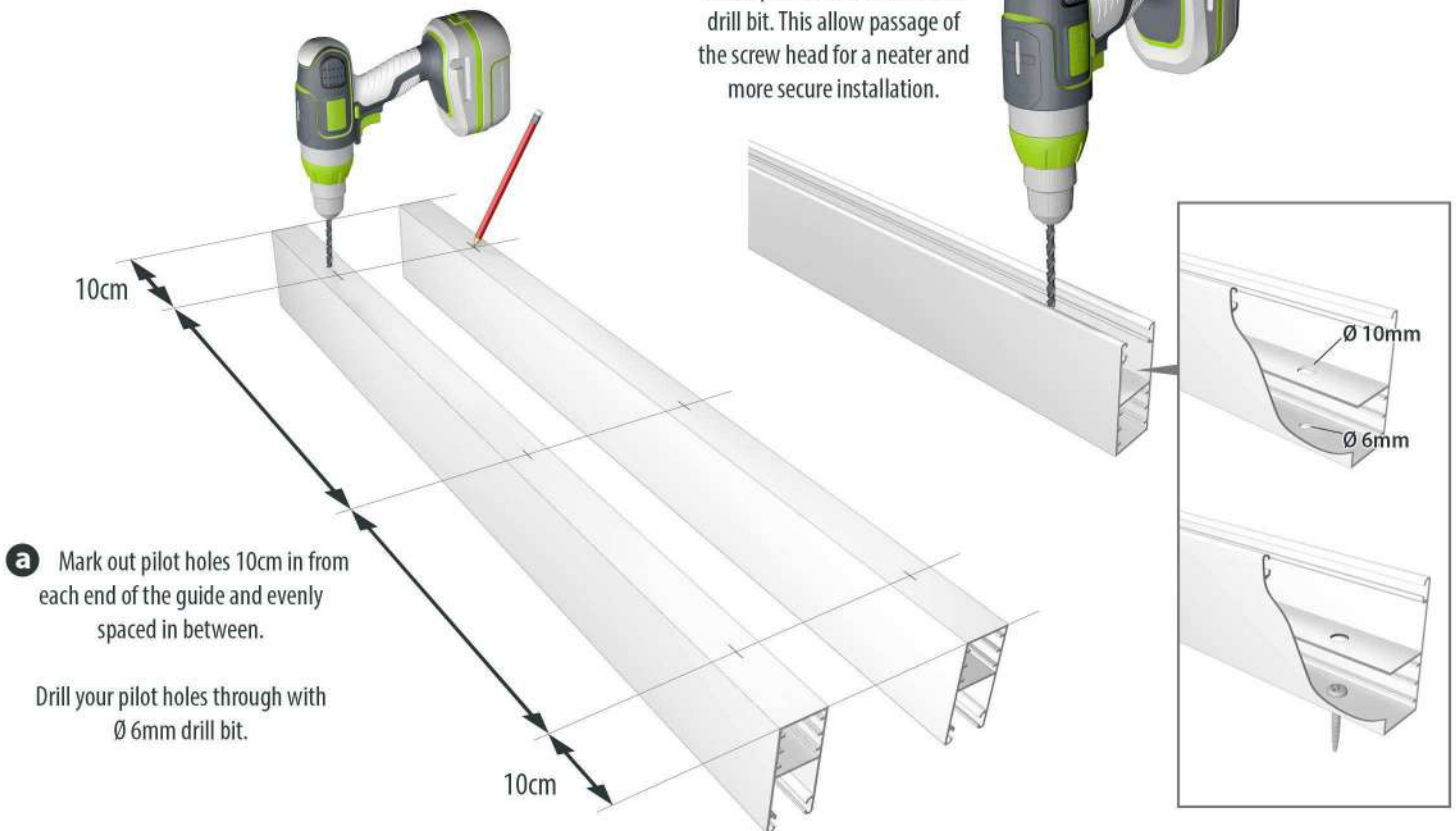
Ø 10 mm



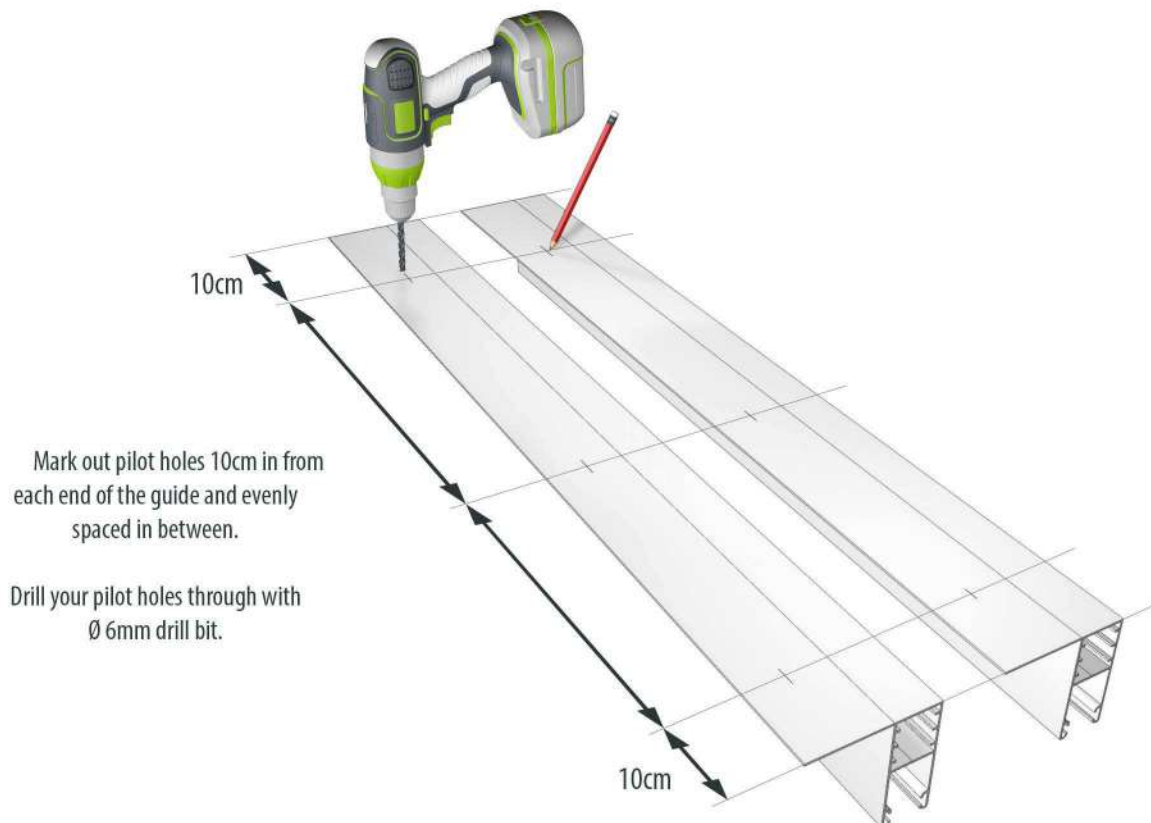
6 Prepare the guides

How to drill the "U" guides for recess fitting :

- b** Flip the guides and drill the inside pilot hole with $\varnothing 10\text{mm}$ drill bit. This allow passage of the screw head for a neater and more secure installation.

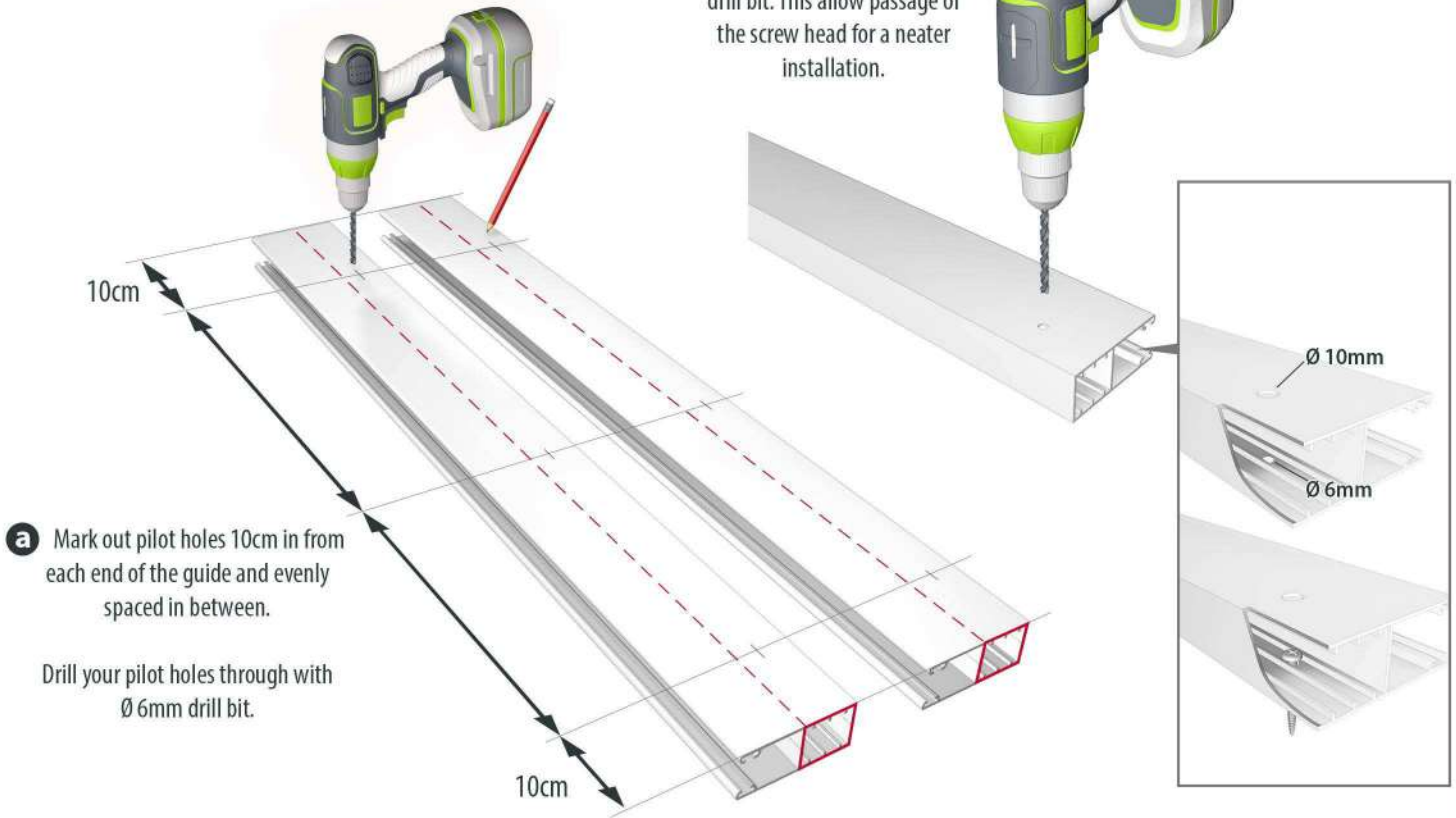


How to drill the "L" guides for recess fitting :



How to drill the guides for face fitting :

- b** Flip the guides and drill the outside pilot hole with $\varnothing 10\text{mm}$ drill bit. This allow passage of the screw head for a neater installation.



- 7** For face fit installations only:
Fit & screw end pieces into the bottom of the guides.



- 8** Slot the guides back into the box, with the previously drilled 6mm diameter pilot holes against the frame/wall. Put the complete shutter into position and adjust until levelled.

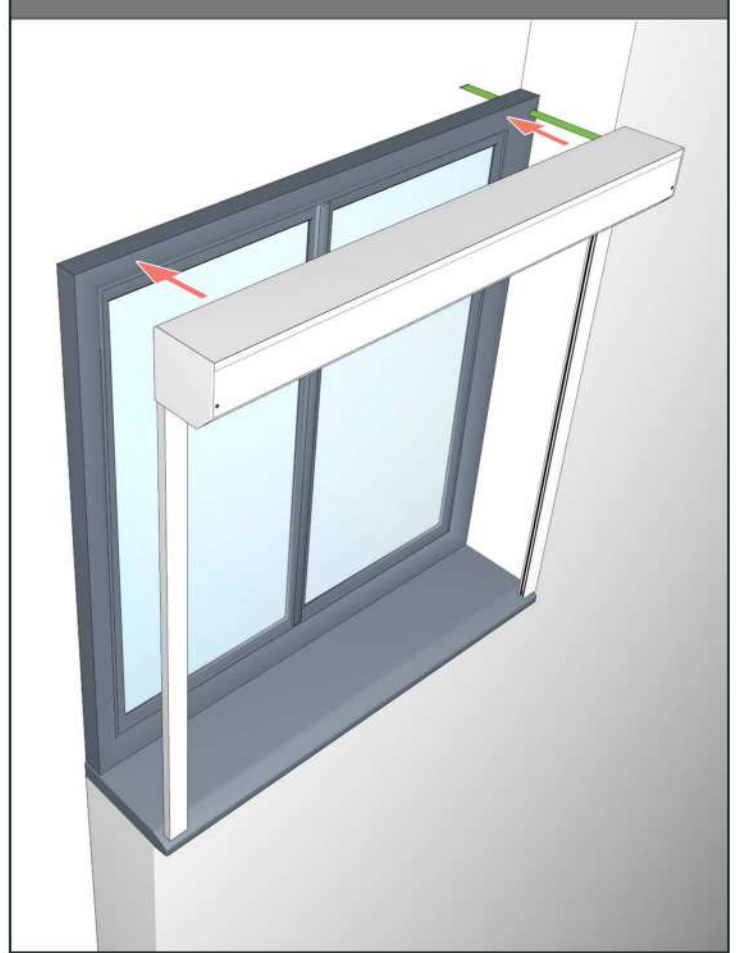
Once levelled mark out your guide fixing points for drilling.



9 Remove the shutter and drill pilot holes for your guide support screws.



10 If applicable, run the coiler strap through the previously drilled hole in the frame/wall and reposition the shutter.



11 Screw the shutter guides to their fixing points.



FINISHING

Apply a silicon seal around your join to ensure complete insulation.

If you'd like to match your silicon colour to your shutter - go to <http://avosdim.com/uk> and find your product or get in touch to find out the specific RAL.



If you have a larger gap to fill - try a foam seal or similar.

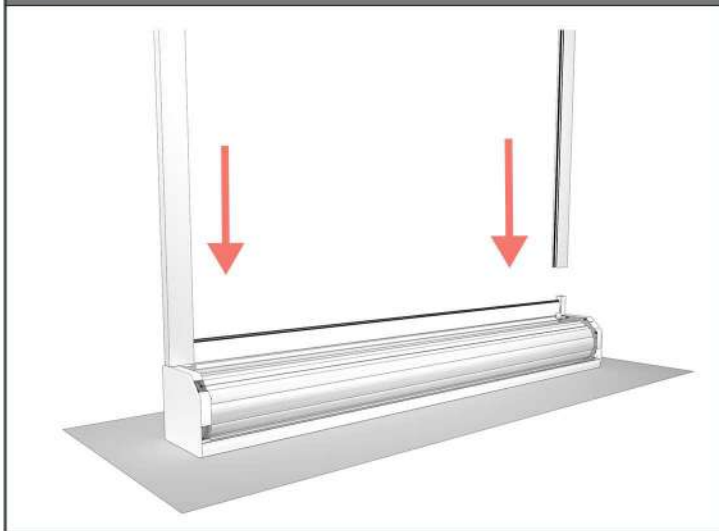


For external installations - place the screw cover caps onto the open holes.



SETTING MOTOR STOP LIMITS

1 Slot the guides onto upturned roller shutter box.

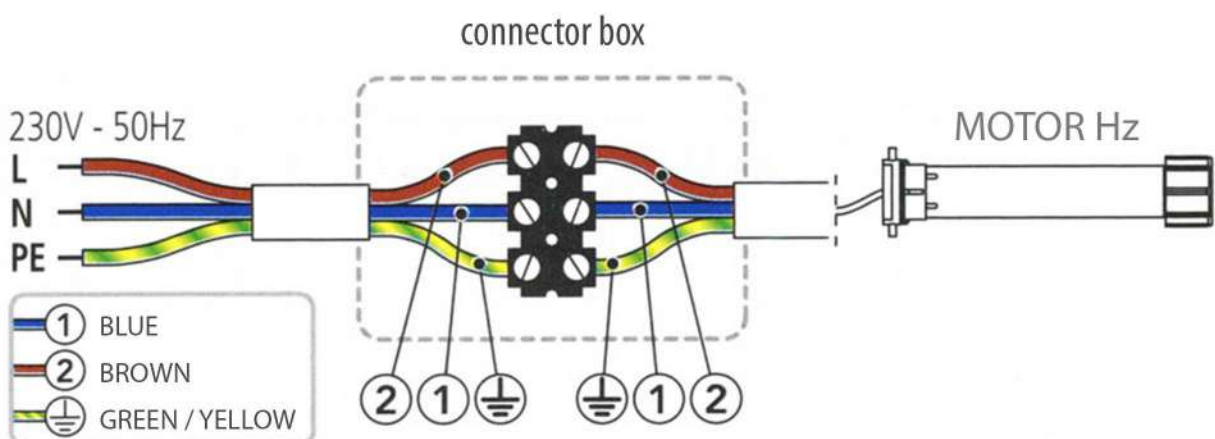


2 Position the shutter against a flat vertical surface.



Before any adjustments...
TURN OFF THE POWER SUPPLY

3 Referencing the diagram - make the connections.



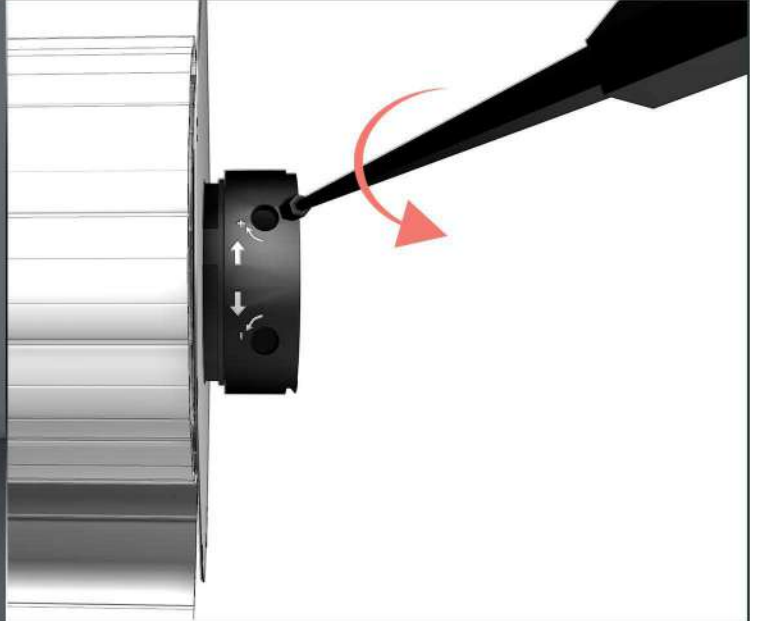
4 Setting stop limits

After connecting the roller shutter to the mains, restart the power

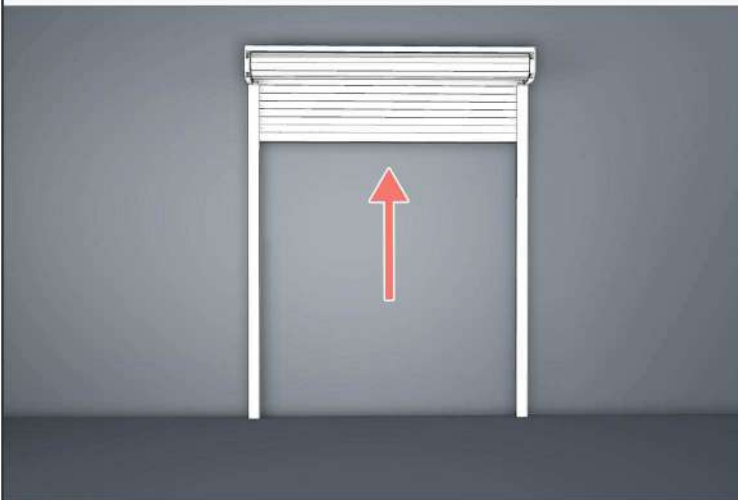
a Lower the shutter to halfway down.



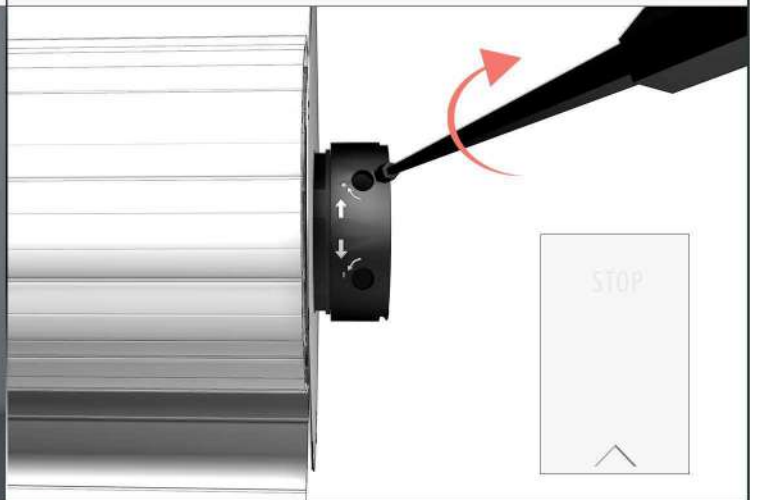
b Turn the 2 adjustment screws to the - setting



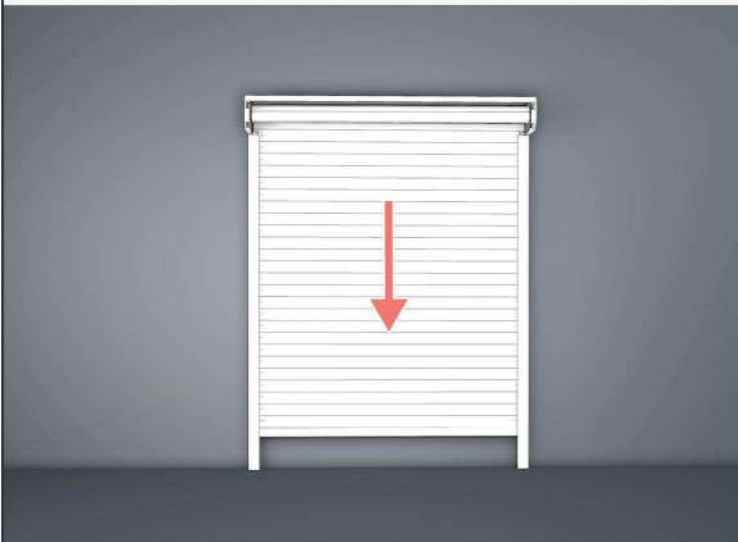
c Raise the shutter with the control, the shutter should stop near the top. If it goes too high and out of the guides, press **Stop**, re-position and lower again. Repeat the previous step with 5 turns to the - on each adjustment screw.



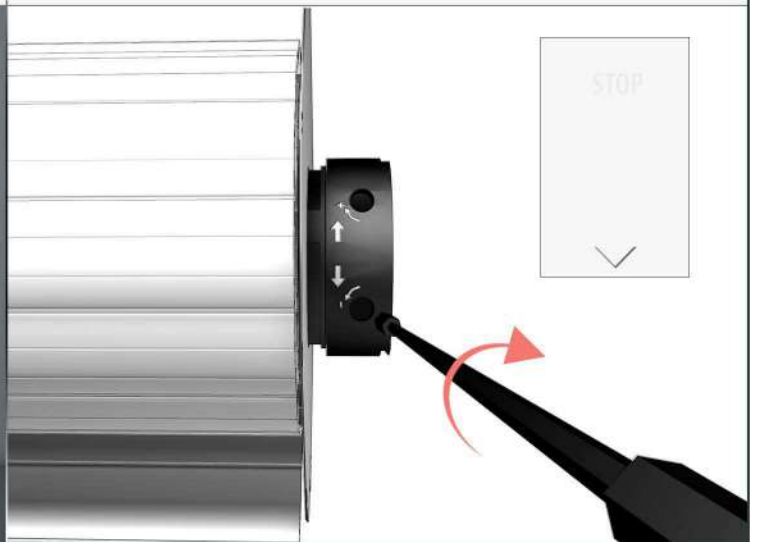
d Once the **upper** stop limit is reached turn one of the adjustment screws towards the + setting. If the curtain lifts it is for setting the upper stop limit, if it doesn't move it's for the lower stop limit. Adjust the upper stop limit to required height.



e Lower the shutter with the control, it should stop near the bottom. If the motor continues after it's reached the bottom, press **Stop** and make a few turns to the - on the lower adjustment screw.



f Once the lower stop limit is reached, turn to the + to set at the required height.



Installation FAQ

My motor keeps going at the top and/or bottom:

The stop limits have to be set on your shutter, please refer to page 8.

My motor stops while setting the limits:

The motor shuts down automatically when overheated - try again in 10 minutes.

My shutter doesn't go all the way down or all the way up:

The stop limits are incorrectly adjusted - refer to page 8 and reset them.

My shutter jams on it's way down or up:

A shutter slat may have moved to one side - check the alignment and try again.

My motor doesn't respond to my remote control:

Check the batteries and try to re-pair with your motor.

Why aren't my shutter guides pre-drilled?

We leave the drilling to you as each configuration is different - please refer to the installation manual.

Is the control side chosen while inside facing out or outside facing in?

The control side is based on your right or left from inside facing out.

My stop limits aren't configured correctly:

Please refer to and follow the steps detailed on page 8 and 9.

Helpful Tips

If you have several motorized roller shutters, we advise you to distribute them on different circuit breakers in order to be able to work independently if a problem arises with one.

In the event of a storm, open or close the roller shutter completely, the intermediate positions creating a wind pocket.



For recess installations with internal facing motorised rollers - shutter stop limits must be set before installation, as the adjustment is inaccessible after installation.