

# MADE-TO-MEASURE DOMESTIC ROLLER SHUTTER SOLAR POWERED SOMFY MOTOR

Dear Customer,

Thank you for purchasing one of our roller shutters. We hope you find the installation process smooth and the product to your expectations.

**Important:** Please follow the instructions as closely as possible to ensure correct installation.

Our products are guaranteed on any manufacturing defect - however, we can not be held responsible for errors in installation.

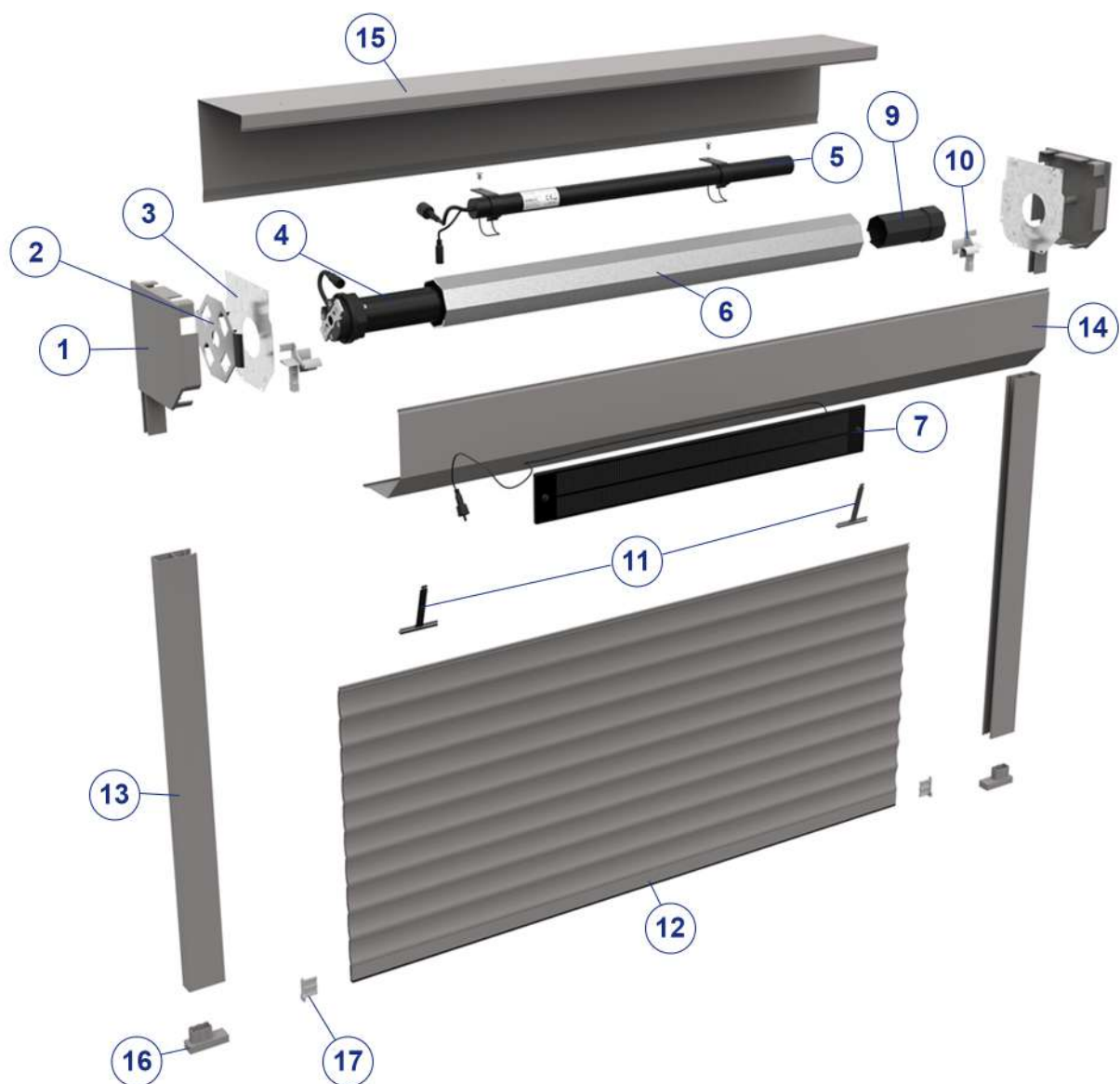
We recommend assembling your shutter on an available flat surface before fixing in place if possible.

This manual is made up of five sections:

- Shutter Preparation & Installation - page 2
- Solar Panel Offset Installation - page 8
- Stop Limits Set Up - page 9
- Backup Power - page 10
- FAQ - page 11

Please note: Stop limits are set in the factory, however these must be checked and adjusted if necessary.

## PRODUCT EXPLODED VIEW



<b>1</b>	Box end caps	<b>10</b>	Curtain entry guides
<b>2</b>	Motor support	<b>11</b>	Curtain attachment clips
<b>3</b>	Counterplates	<b>12</b>	Slat curtain
<b>4</b>	Solar-powered motor	<b>13</b>	Guide tracks
<b>5</b>	Solar battery	<b>14</b>	Lower box section
<b>6</b>	Roller tube	<b>15</b>	Upper box section
<b>7</b>	Solar panel	<b>16</b>	Track inserts - <i>if 'face fit'</i>
<b>9</b>	Tube end	<b>17</b>	End stoppers

# INSTALLATION TYPE



## Possible installations

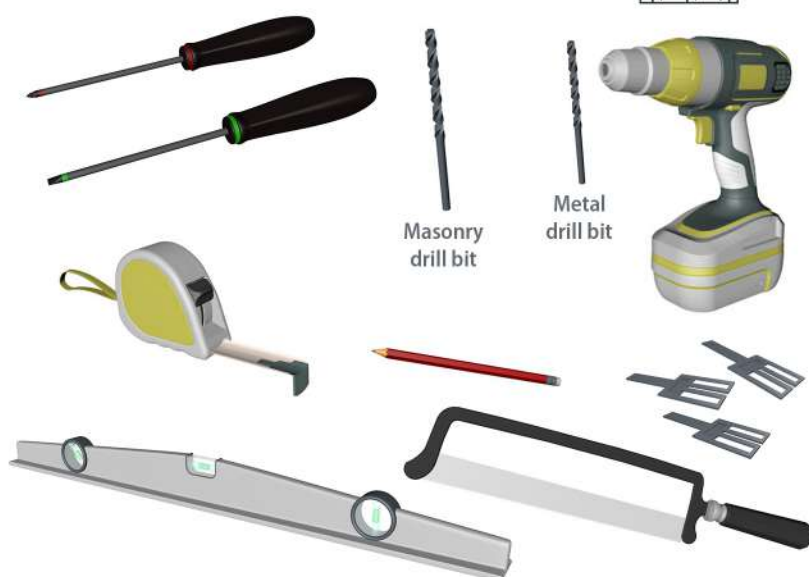
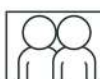
Recess fit A: Outward roller



Recess fit B: Inward roller



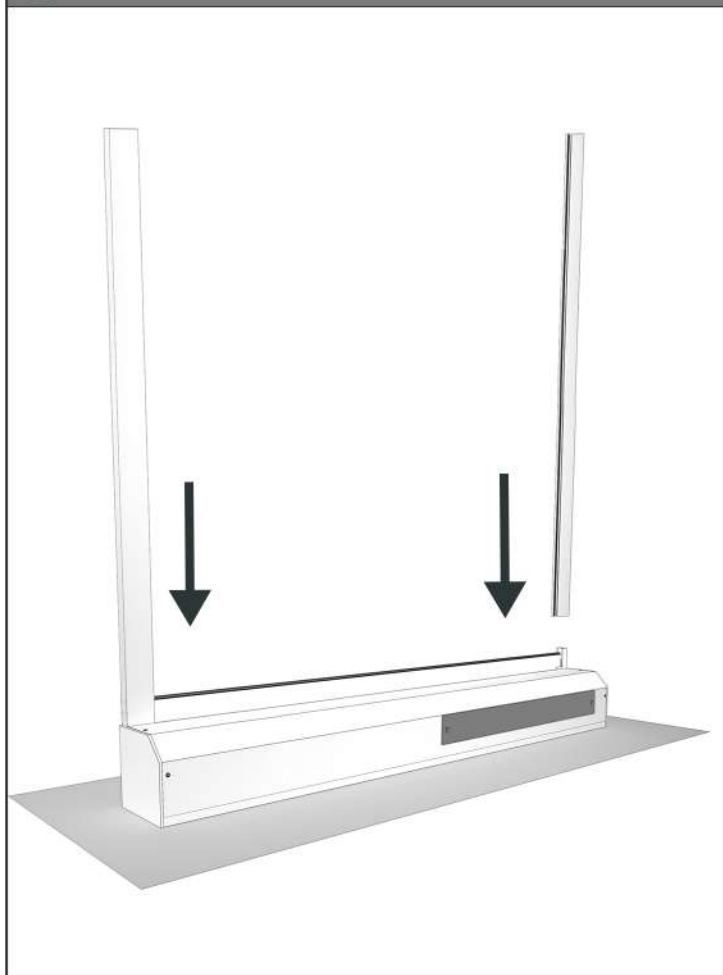
## Tools needed



Face fit: Outward roller



**1** Slot the guides onto the upturned roller shutter box.



**2** Before installation, please double check your dimensions correspond to your roller shutter.

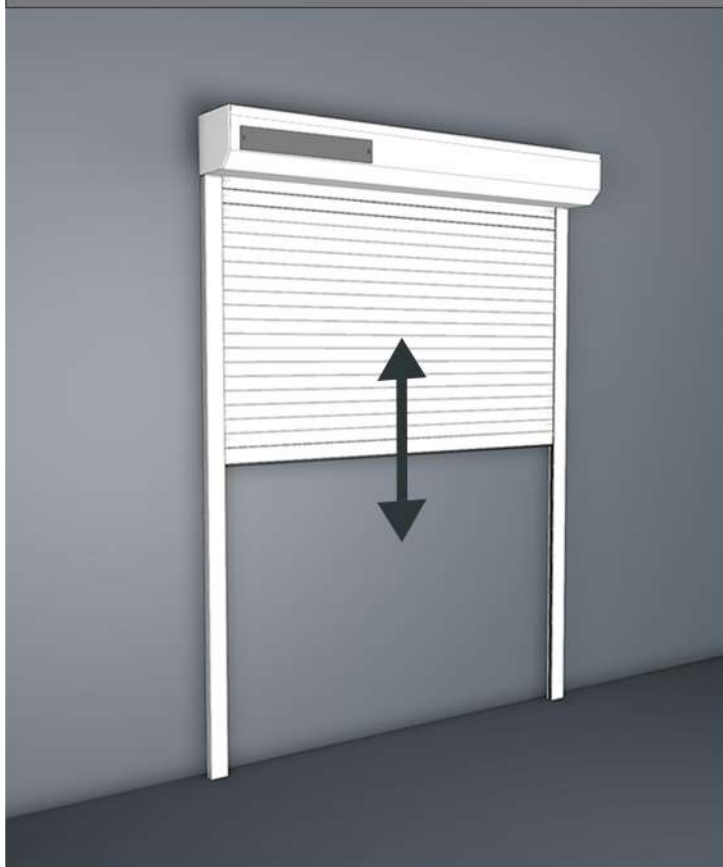
*If you have purchased a made to measure roller shutter from us and the dimensions aren't what you ordered - please get in touch.*



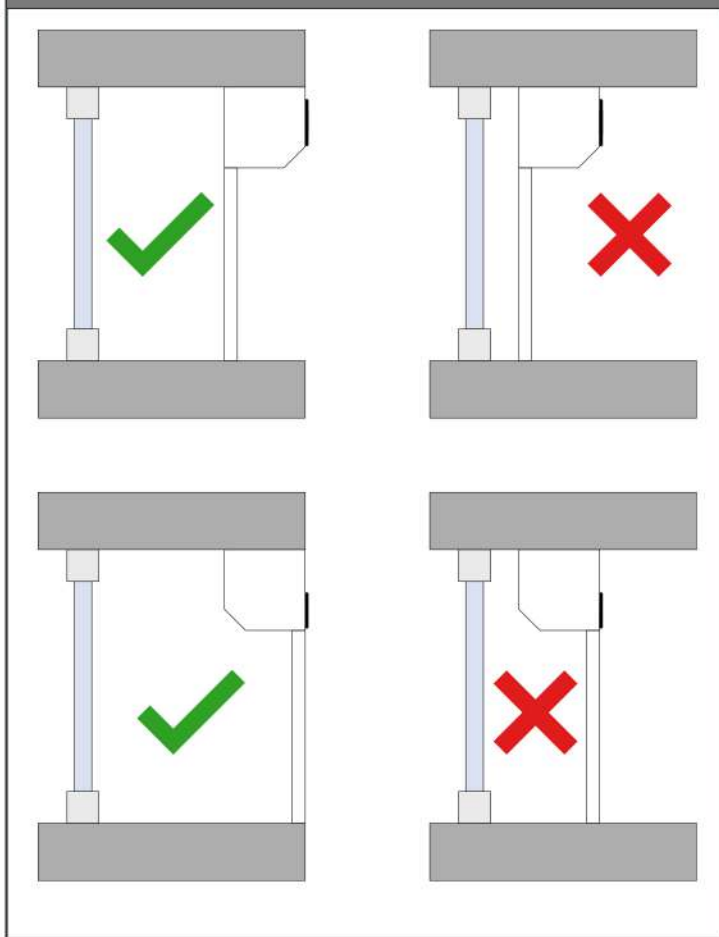
**3** Position the shutter against a wall to check the top and bottom stop limits are correctly set.

If these are correctly adjusted, go to the next step.

If not, adjust as instructed on page 9.

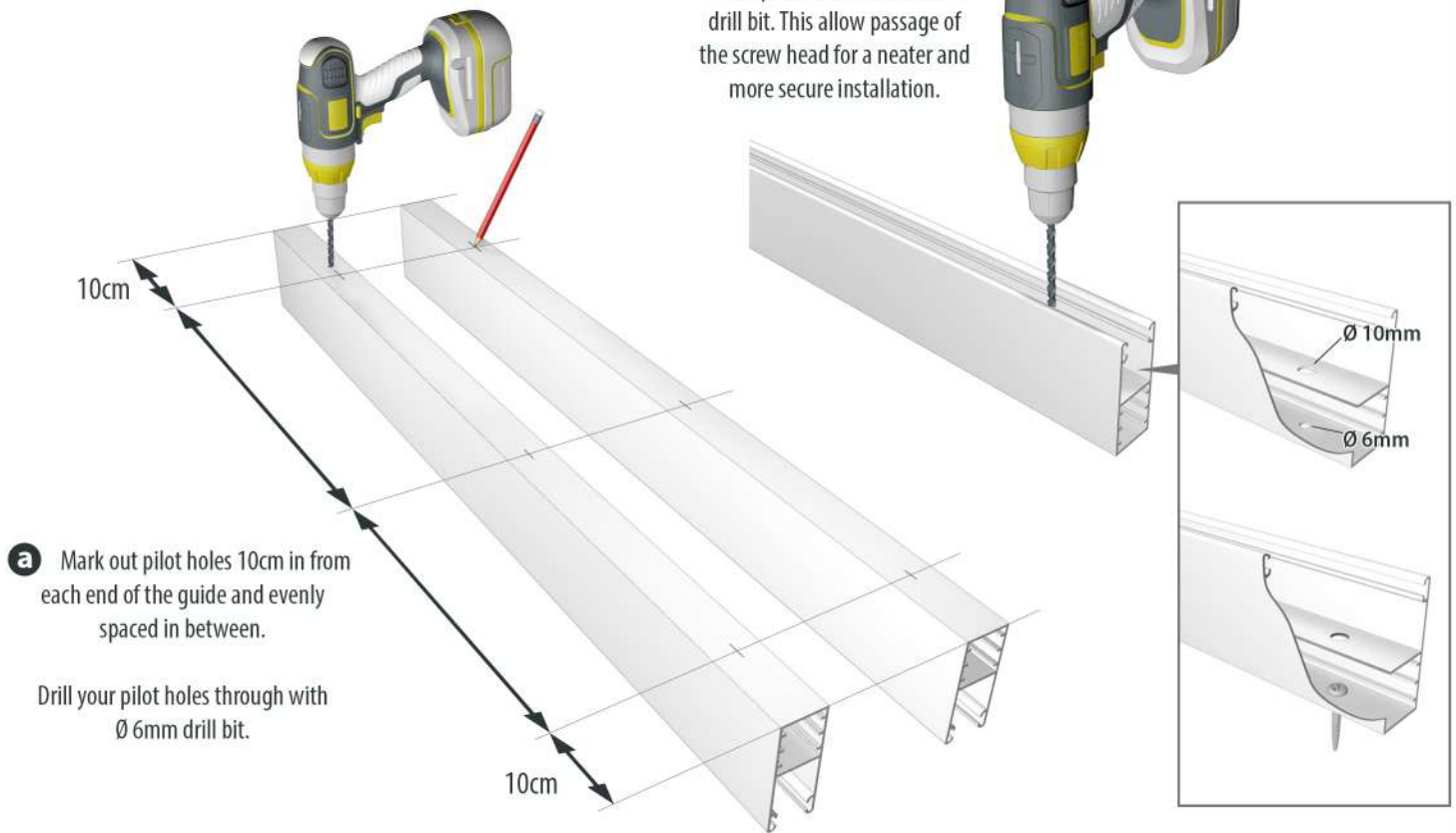


**i** For recessed installations, position the shutter flush with the facade in order to optimise sun exposure.

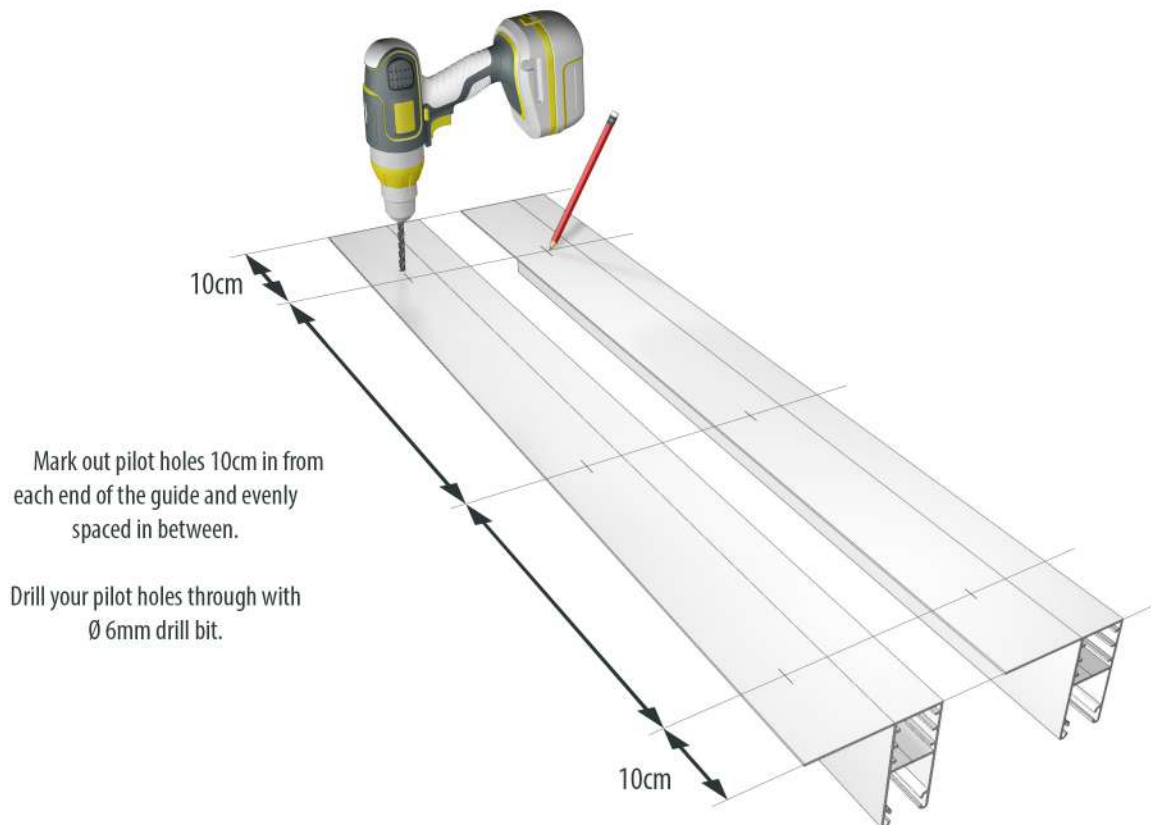


## 6 Prepare the guides

### How to drill the "U" guides for recess fitting :

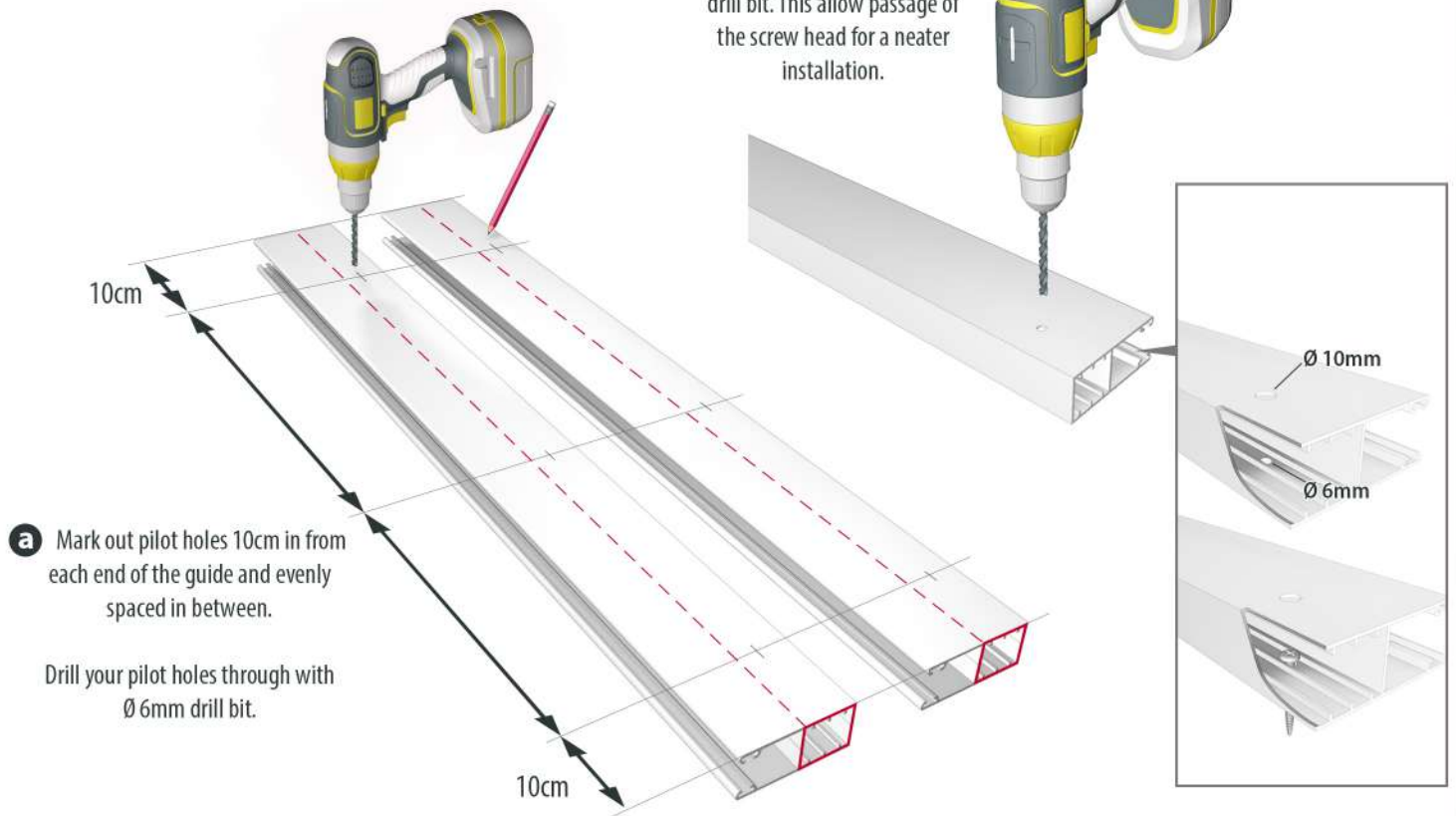


### How to drill the "L" guides for recess fitting :



## How to drill the guides for face fitting :

- b** Flip the guides and drill the outside pilot hole with  $\varnothing 10\text{mm}$  drill bit. This allow passage of the screw head for a neater installation.

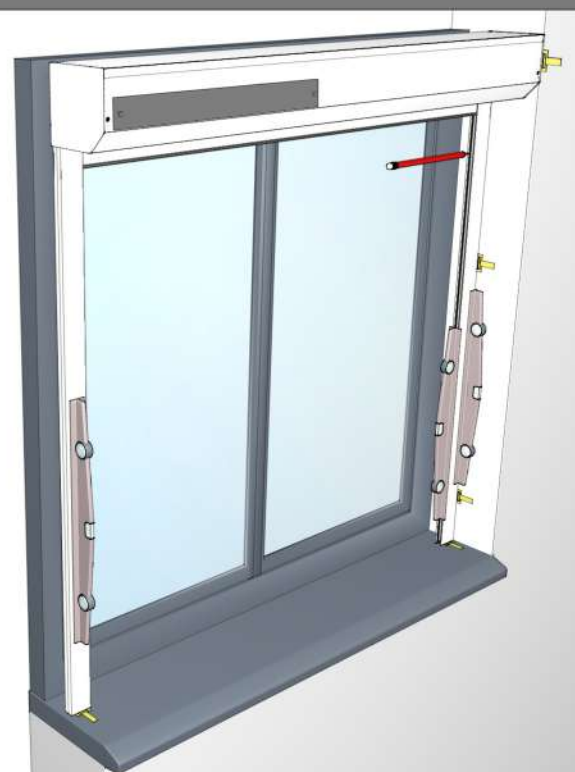


- 7** For face fit installations only:  
Fit end pieces into the bottom of the guides.



- 8** Slot the guides back into the box, with the previously drilled 6mm diameter pilot holes against the frame/wall. Put the complete shutter into position and adjust until levelled.

Once levelled mark out your guide fixing points for drilling.



**9** Remove the shutter and drill pilot holes for your guide support screws.



**10** Screw the shutter guides to their fixing points.



**11** The roller shutter is ready for use.



**i** It is recommended to expose the solar panel to sun as soon as possible so that the battery does not lose charge.



## FINISHING

Apply a silicon seal around your join to ensure complete insulation.

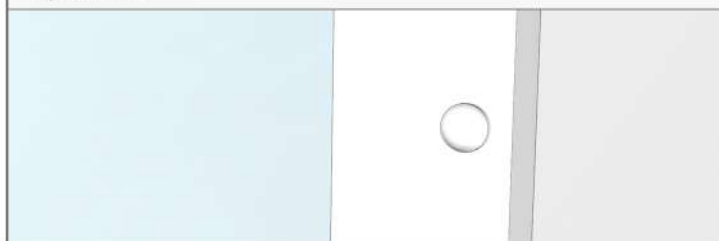
If you'd like to match your silicon colour to your shutter - go to <http://avosdim.com/uk> and find your product or get in touch to find out the specific RAL.



If you have a larger gap to fill - try a foam seal or similar.



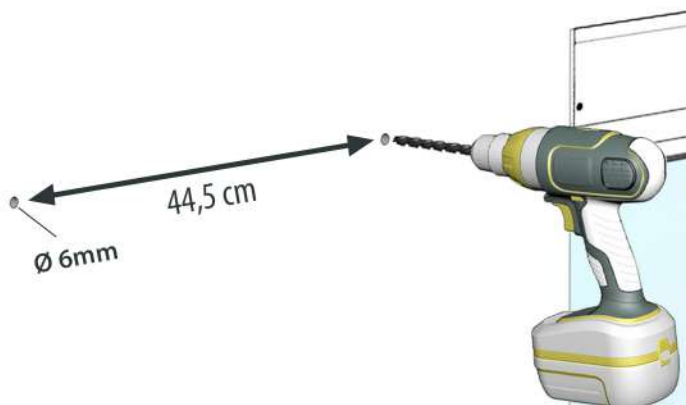
For external installations - place the screw cover caps onto the open holes.





## OFFSET SOLAR PANEL

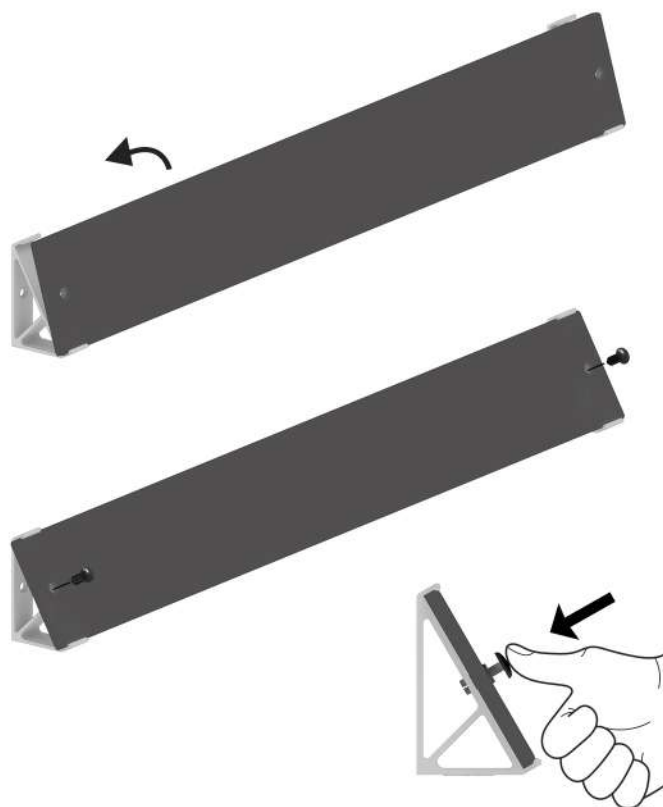
- 1** Drill two 6mm diameter holes (44.5cm apart) where you want to position your panel.



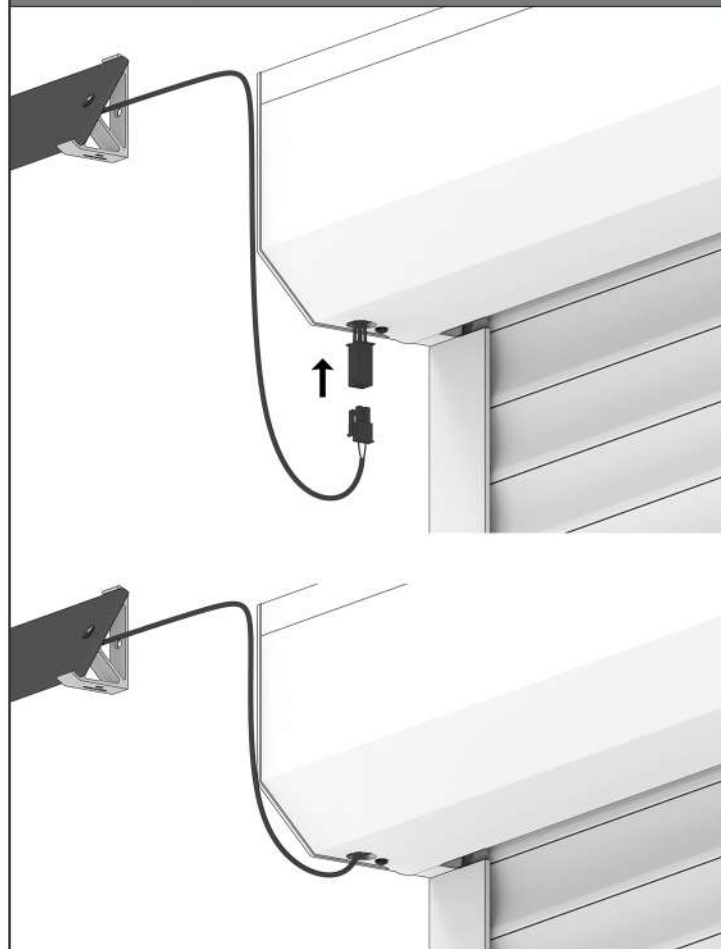
- 2** Insert the screws (not supplied) and fix the solar panel supports to the wall (Ref. 005418).



- 3** Clip the panel onto the brackets, aligning the holes in the panel and the brackets. Insert the plastic rivets into the holes and press in the heads to lock them.

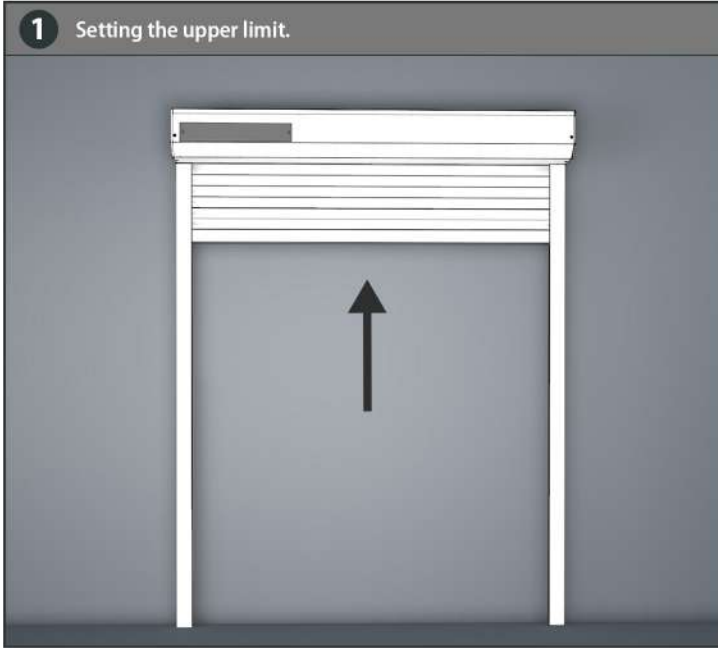


- 4** Connect the socket of the panel to the one protruding from the end cap of the shutter then insert the connectors inside.



# SETTING THE STOP LIMITS

## 1 Setting the upper limit.



On the control point, press the up button to bring the shutter to the required upper stop position. Hold the up and down buttons until the roller shutter curtain makes an up and down movement.



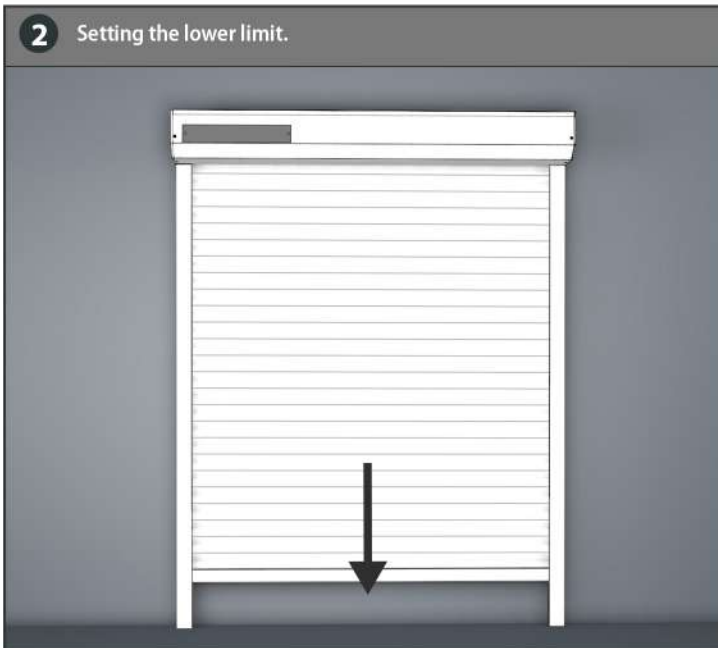
Use the up and down keys to adjust the position of the upper stop limit.



Once the position is set, press the my button until the roller shutter curtain moves up and down.



## 2 Setting the lower limit.



On the control point, press the down button to bring the shutter to the required lower stop position. Hold the up and down buttons until the roller shutter curtain makes an up and down movement.



Use the up and down keys to adjust the position of the bottom stop limit.



Once the position is set, press the my button until the roller shutter curtain moves up and down.

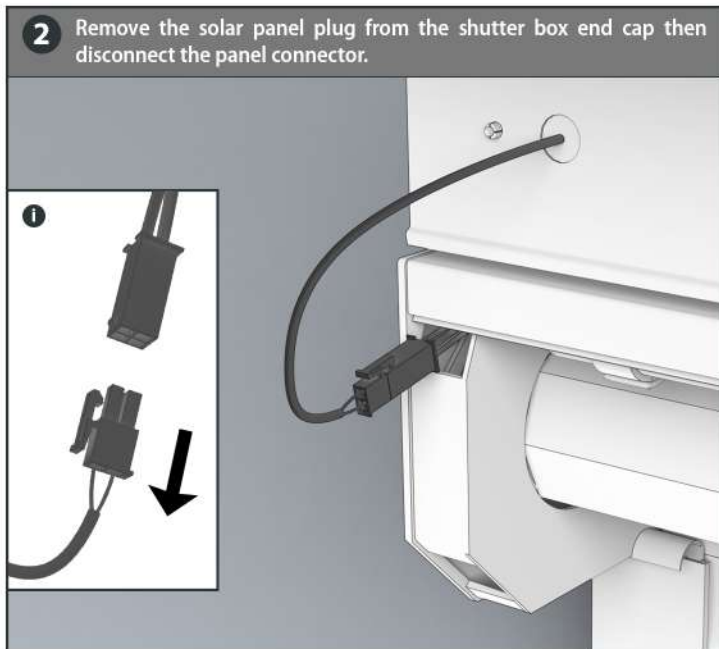


## BACKUP POWER

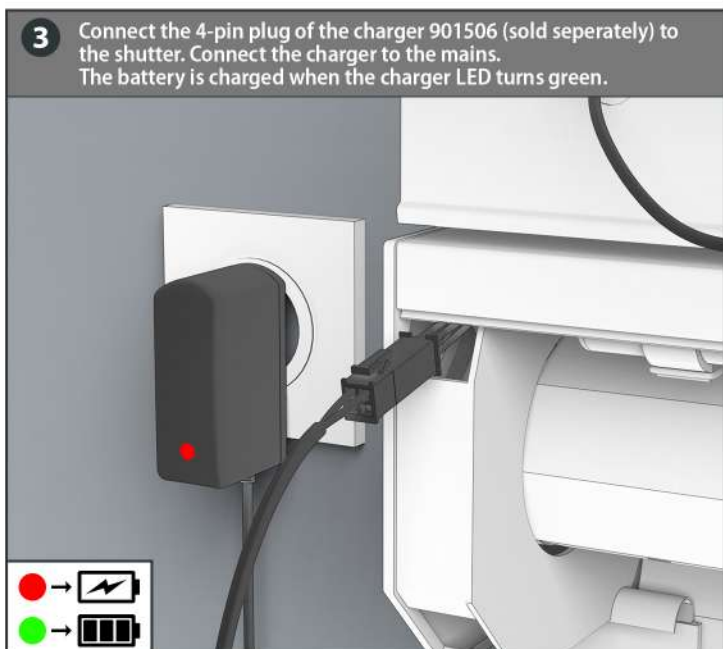
- 1** Open the roller shutter box.



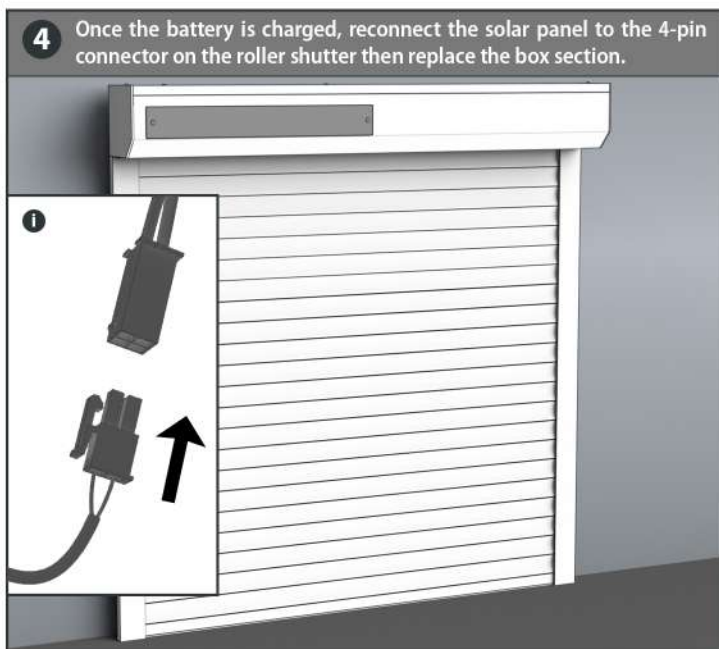
- 2** Remove the solar panel plug from the shutter box end cap then disconnect the panel connector.



- 3** Connect the 4-pin plug of the charger 901506 (sold separately) to the shutter. Connect the charger to the mains. The battery is charged when the charger LED turns green.



- 4** Once the battery is charged, reconnect the solar panel to the 4-pin connector on the roller shutter then replace the box section.



My shutter pauses on the way up or does not go down:

The battery level is low --> recharge the roller shutter panel, see page 10. Check whether the solar panel is sufficiently exposed to sunlight.

My motor keeps going at the top and/or bottom:

The stop limits have to be set on your shutter, please refer to page 9.

My motor stops while setting the limits:

The motor shuts down automatically when overheated - try again in 10 minutes.

My shutter doesn't go all the way down or all the way up:

The stop limits are incorrectly adjusted - refer to page 8 and reset them.

My shutter jams on it's way down or up:

A shutter slat may have moved to one side - check the alignment and try again.

My motor doesn't respond to my remote control:

Check the batteries and try to re-pair with your motor.

Why aren't my shutter guides pre-drilled?

We leave the drilling to you as each configuration is different - please refer to the installation manual.

Is the control side chosen while inside facing out or outside facing in?

The control side is based on your right or left from inside facing out.

My stop limits aren't configured correctly:

Please refer to and follow the steps detailed on page 9.