

MADE-TO-MEASURE DOMESTIC ROLLER SHUTTER SOLAR POWERED MOTOR

Dear Customer,

Thank you for purchasing one of our roller shutters. We hope you find the installation process smooth and the product to your expectations.

Important: Please follow the instructions as closely as possible to ensure correct installation.

Our products are guaranteed on any manufacturing defect - however, we can not be held responsible for errors in installation.

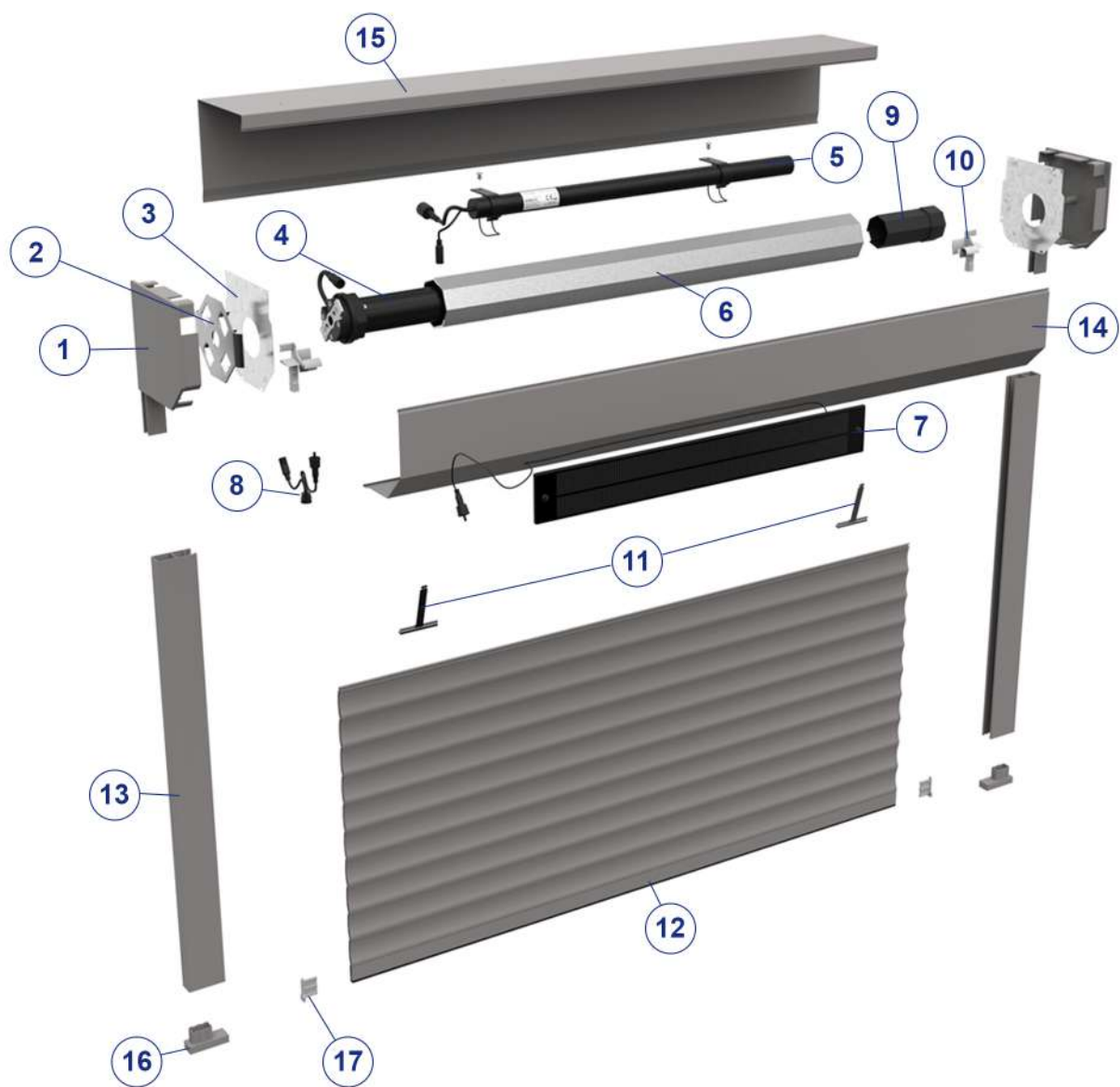
We recommend assembling your shutter on an available flat surface before fixing in place if possible.

This manual is made up of five sections:

- Shutter preparation & installation - page 2
- Solar panel offset installation - page 8
- Stop limits set up - page 9
- Pairing a remote control - page 10
- FAQ - page 11

The motor stop limits are usually set during factory assembly, however these must be checked and adjusted if necessary.

PRODUCT EXPLODED VIEW



1	Box end caps	10	Curtain entry guides
2	Motor support	11	Curtain attachment clips
3	Counterplates	12	Slat curtain
4	Solar-powered motor	13	Guide tracks
5	Solar battery	14	Lower box section
6	Roller tube	15	Upper box section
7	Solar panel	16	Track inserts - <i>if 'face fit'</i>
8	Remote panel socket - <i>if AvosDim system</i>	17	End stoppers
9	Tube end		

INSTALLATION TYPE



Possible installations

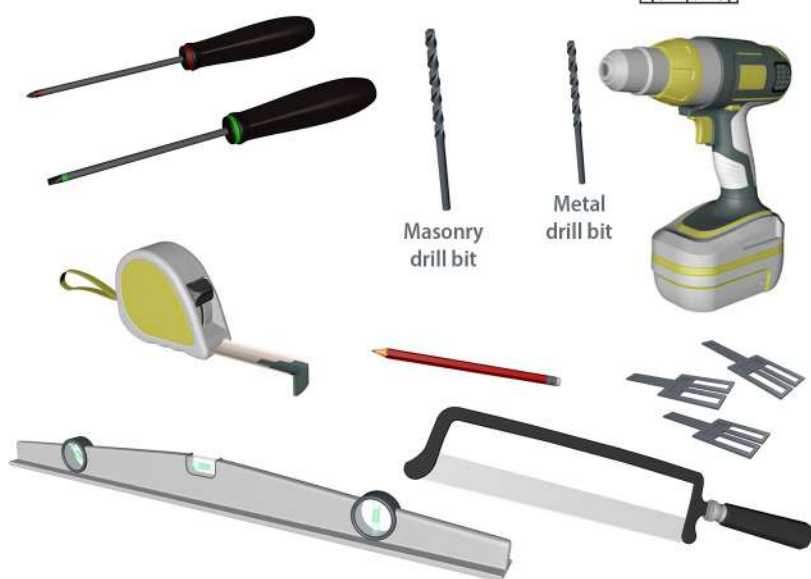
Recess fit A: Outward roller



Recess fit B: Inward roller



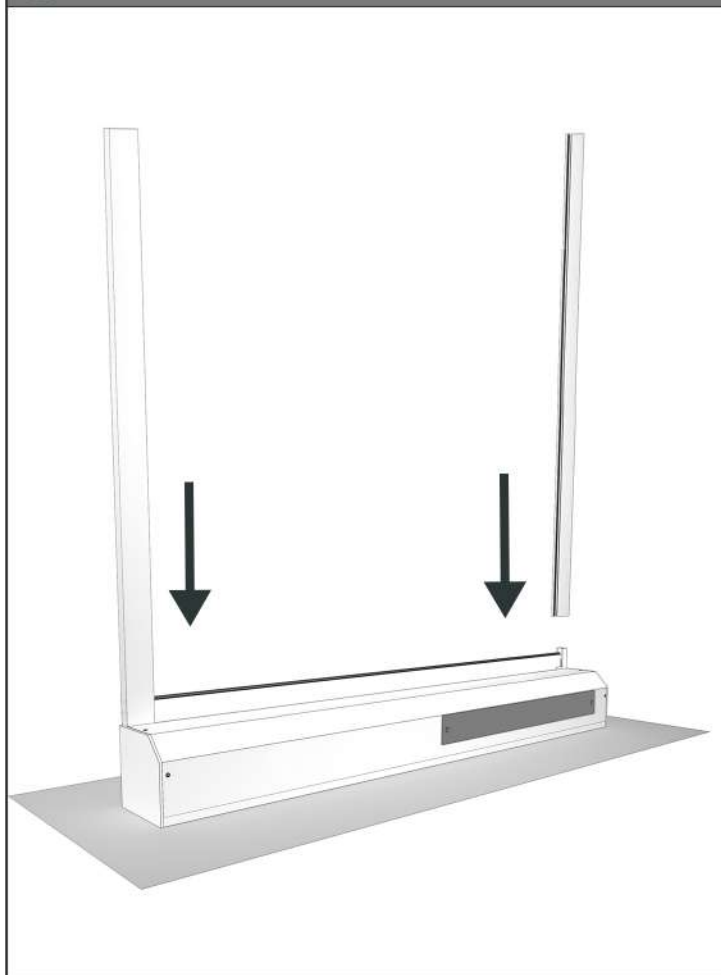
Tools needed



Face fit: Outward roller



1 Slot the guides onto the upturned roller shutter box.



2 Before installation, please double check your dimensions correspond to your roller shutter.

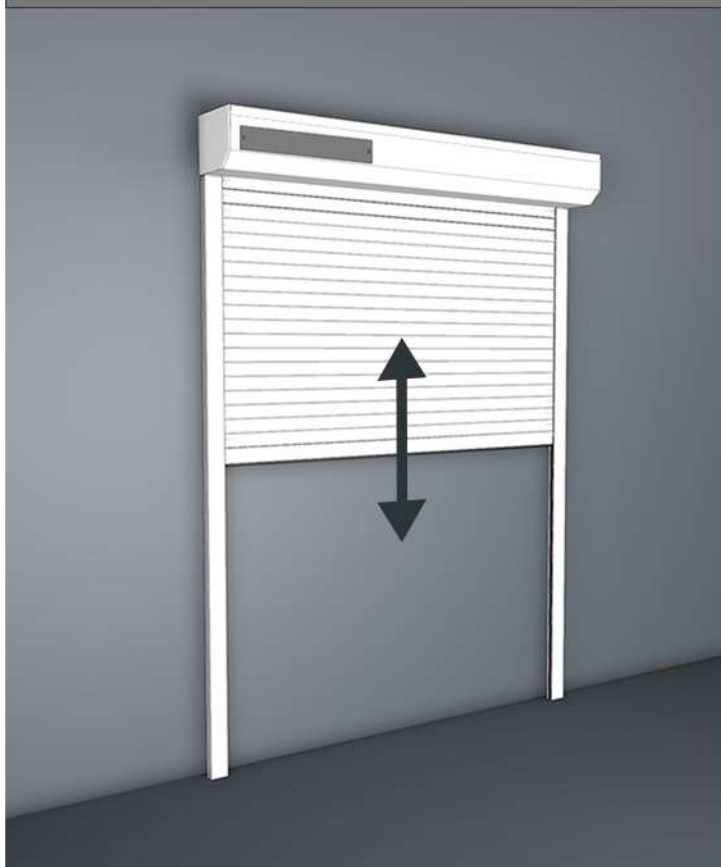
If you have purchased a made to measure roller shutter from us and the dimensions aren't what you ordered - please get in touch.



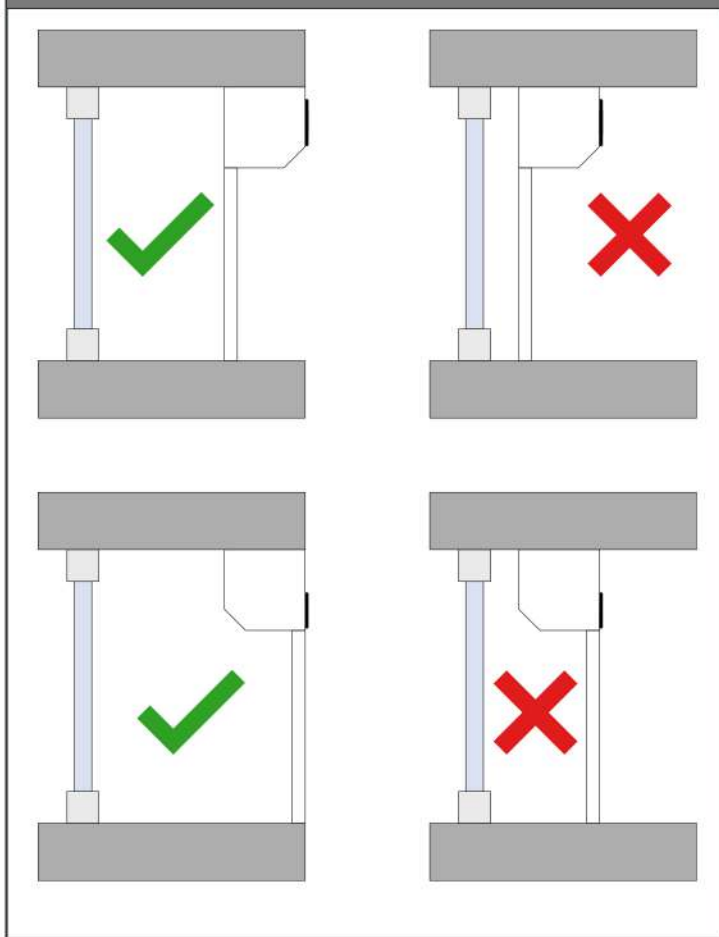
3 Position the shutter against a wall to check the top and bottom stop limits are correctly set.

If these are correctly adjusted, go to the next step.

If not, adjust as instructed on page 9.



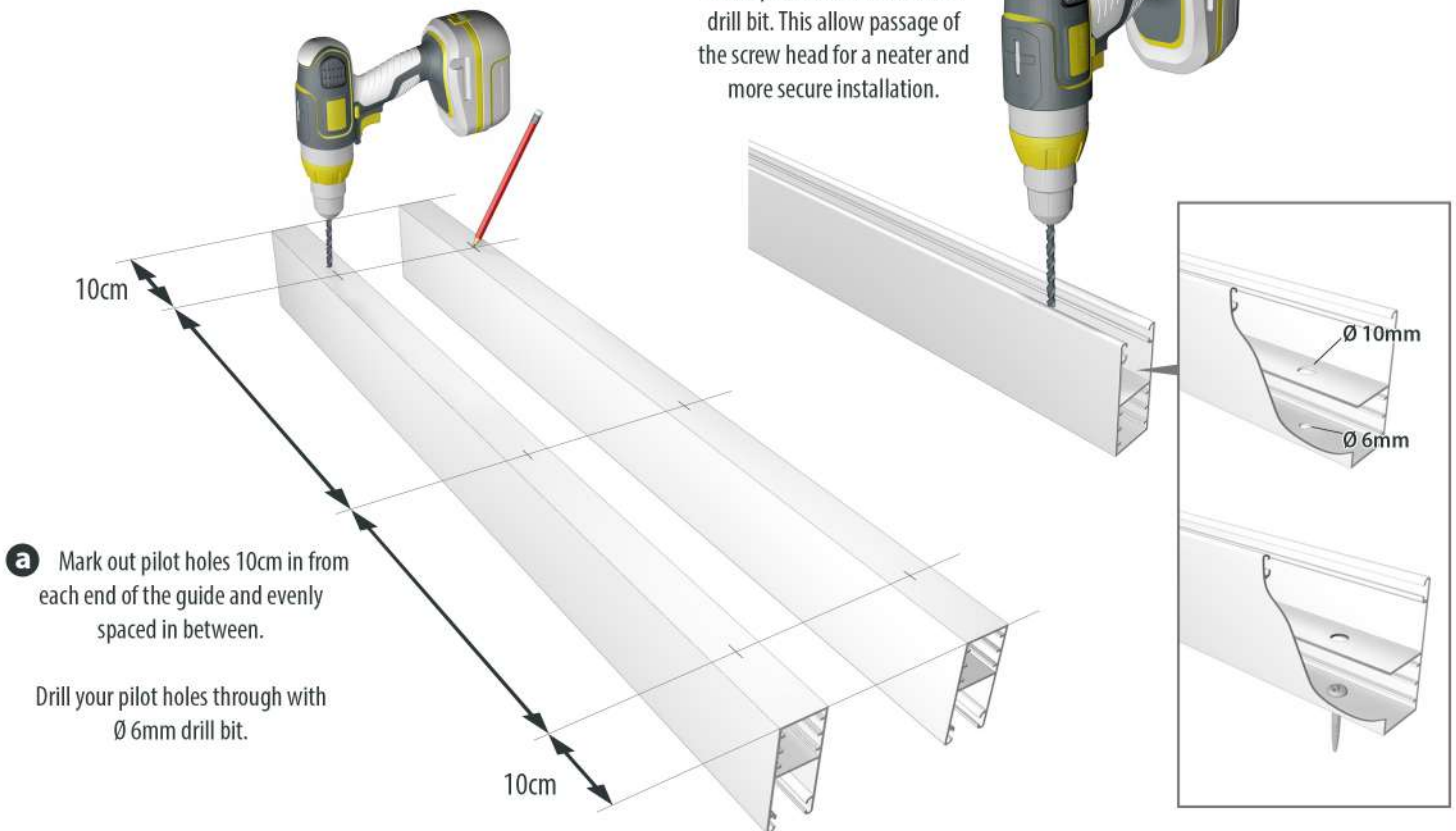
i For recessed installations, position the shutter flush with the facade in order to optimise sun exposure.



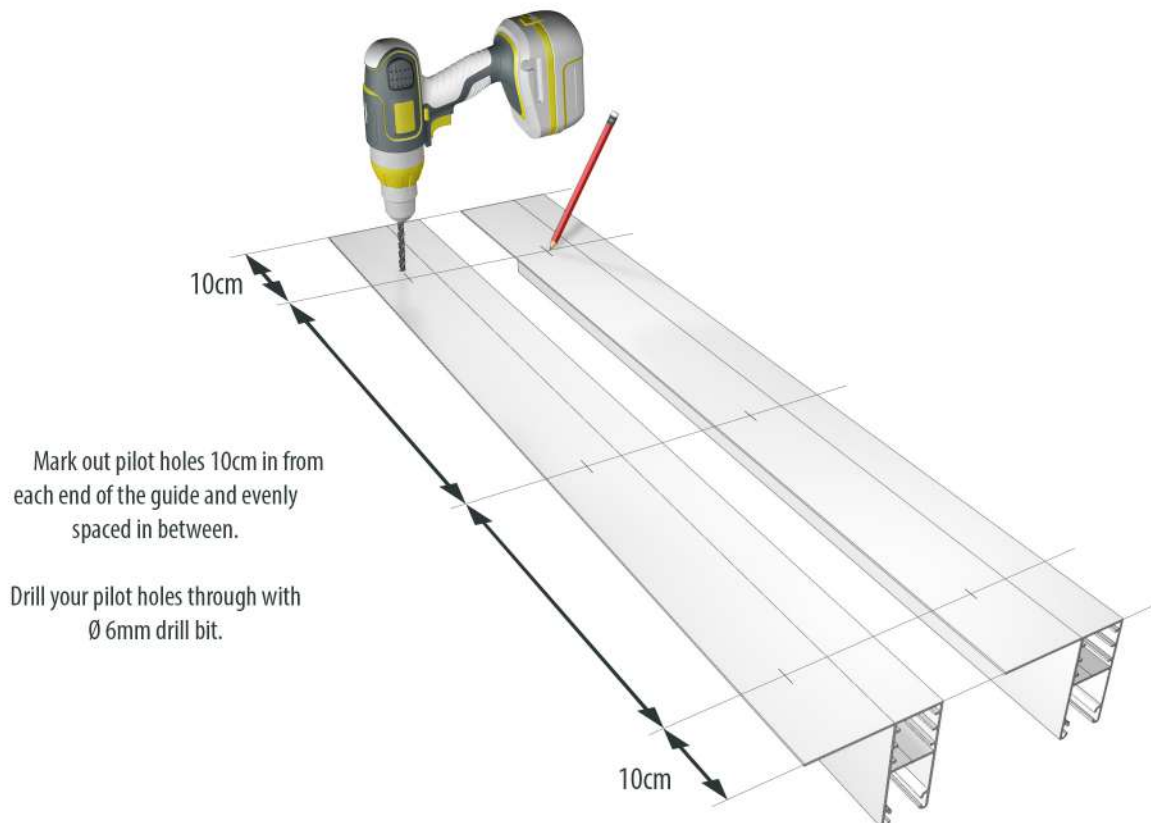
6 Prepare the guides

How to drill the "U" guides for recess fitting :

- b** Flip the guides and drill the inside pilot hole with $\varnothing 10\text{mm}$ drill bit. This allow passage of the screw head for a neater and more secure installation.

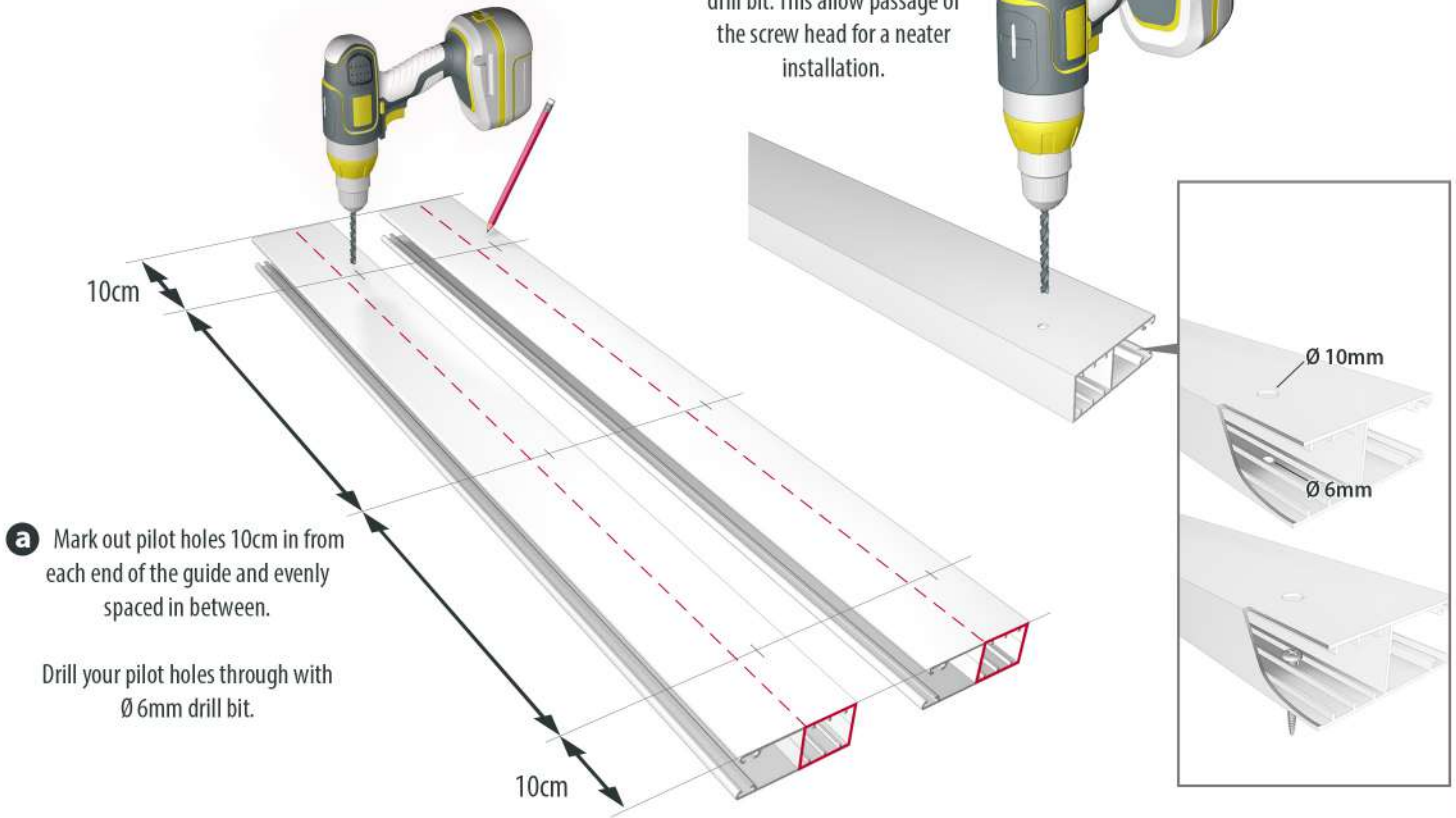


How to drill the "L" guides for recess fitting :



How to drill the guides for face fitting :

- b** Flip the guides and drill the outside pilot hole with $\varnothing 10\text{mm}$ drill bit. This allow passage of the screw head for a neater installation.



- 7** For face fit installations only:
Fit end pieces into the bottom of the guides.



- 8** Slot the guides back into the box, with the previously drilled 6mm diameter pilot holes against the frame/wall. Put the complete shutter into position and adjust until levelled.

Once levelled mark out your guide fixing points for drilling.



9 Remove the shutter and drill pilot holes for your guide support screws.



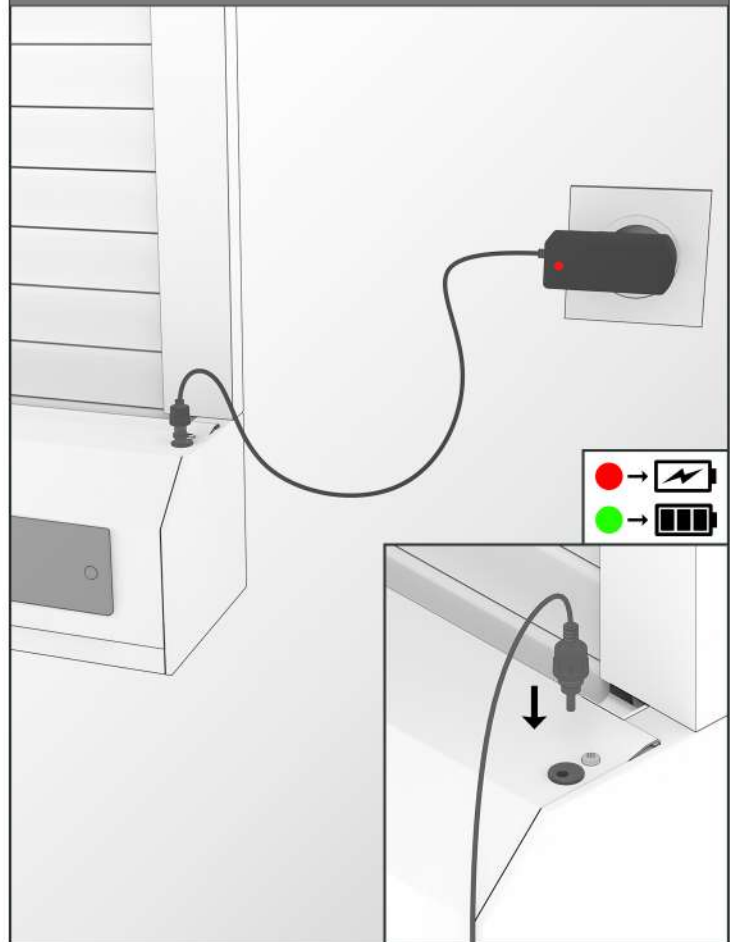
10 Screw the shutter guides to their fixing points.



11 The roller shutter is ready for use.



i To ensure optimum performance of the roller shutter, it is best to recharge it (charger 005415 sold separately) before first use.



FINISHING

Apply a silicon seal around your join to ensure complete insulation.

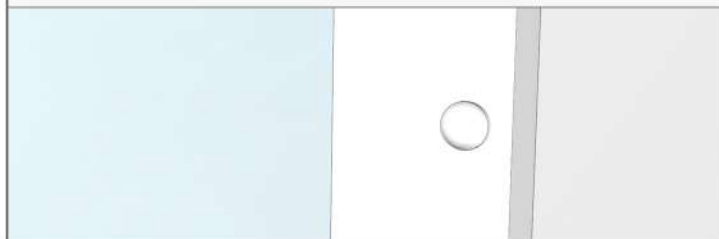
If you'd like to match your silicon colour to your shutter - go to <http://avosdim.com/uk> and find your product or get in touch to find out the specific RAL.



If you have a larger gap to fill - try a foam seal or similar.

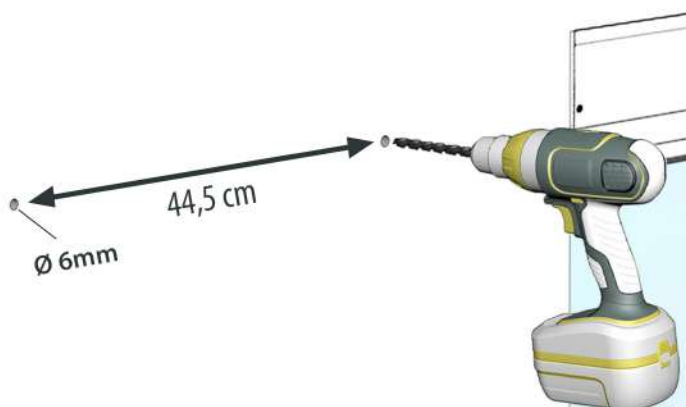


For external installations - place the screw cover caps onto the open holes.



OFFSET SOLAR PANEL

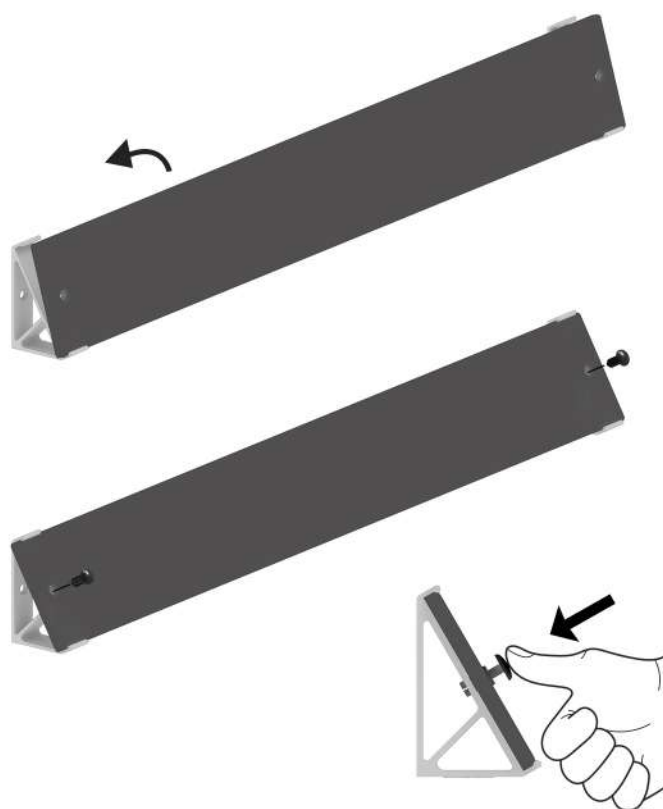
- 1** Drill two 6mm diameter holes (44.5cm apart) where you want to position your panel.



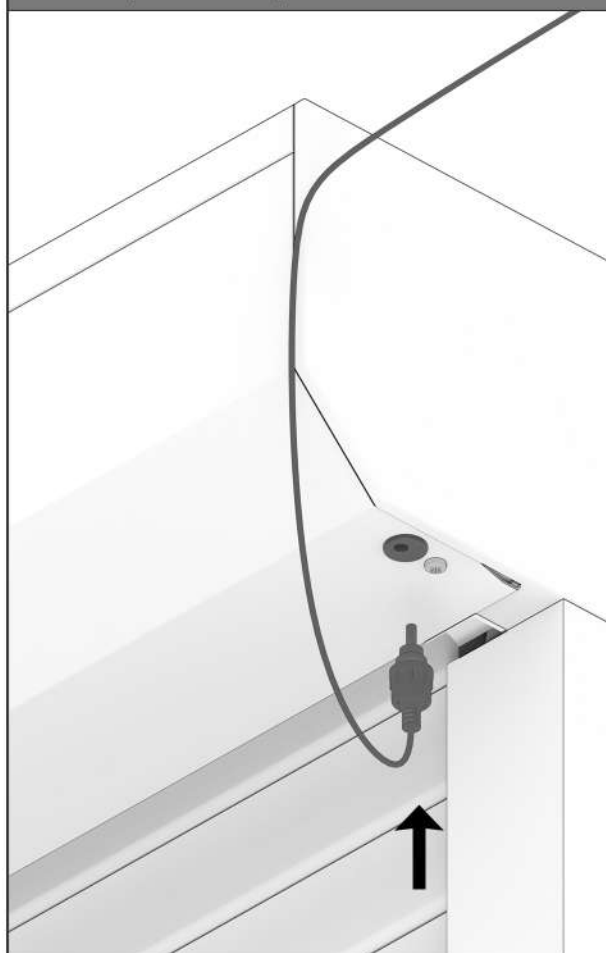
- 2** Insert the screws (not supplied) and fix the solar panel supports to the wall (Ref. 005418).



- 3** Clip the panel onto the brackets, aligning the holes in the panel and the brackets. Insert the plastic rivets into the holes and press in the heads to lock them.

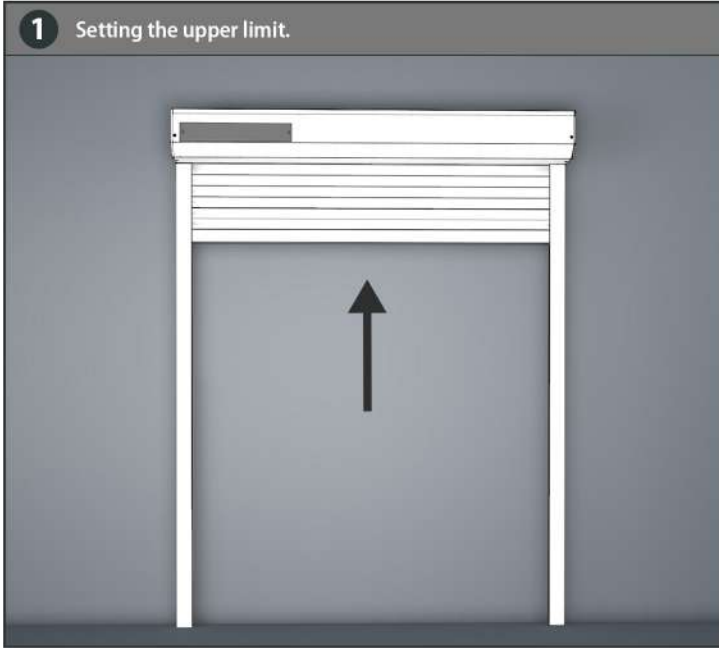


- 4** Connect the panel socket to the one on the shutter end cap. Your panel is now operational.



SETTING THE STOP LIMITS

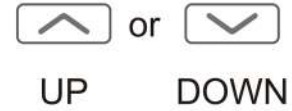
1 Setting the upper limit.



On the remote control, hold the up and stop buttons for 5 seconds. (the motor makes an up and down movement and beeps).



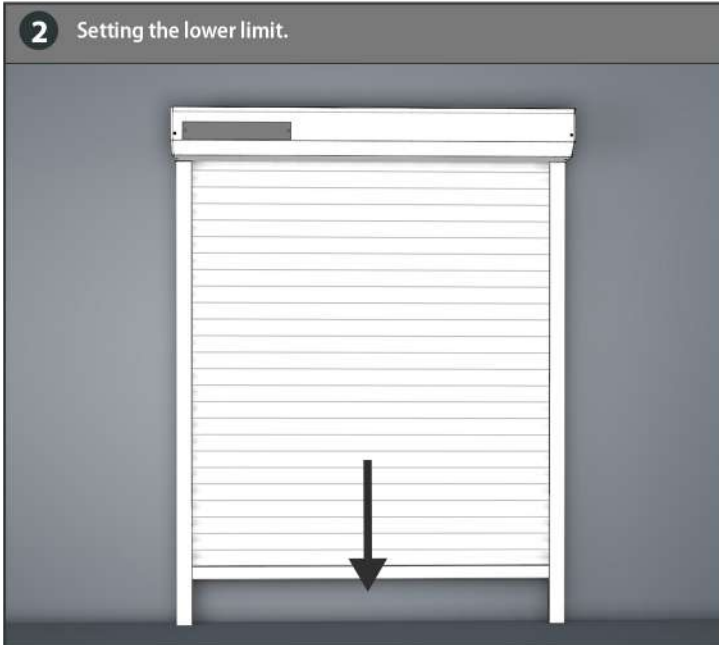
Use the up and down keys to adjust the position of the upper stop limit.



Once the position is set, press the up and stop button for 2 seconds (2 motor movements and 3 beeps), the new position is saved.



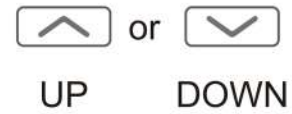
2 Setting the lower limit.



On the remote control, hold the down and stop buttons for 5 seconds. (the motor makes an up and down movement and beeps).



Use the up and down keys to adjust the position of the bottom stop limit



Once the position is set, press the down and stop buttons for 2 seconds (2 motor movements and 3 beeps), the new position is saved.



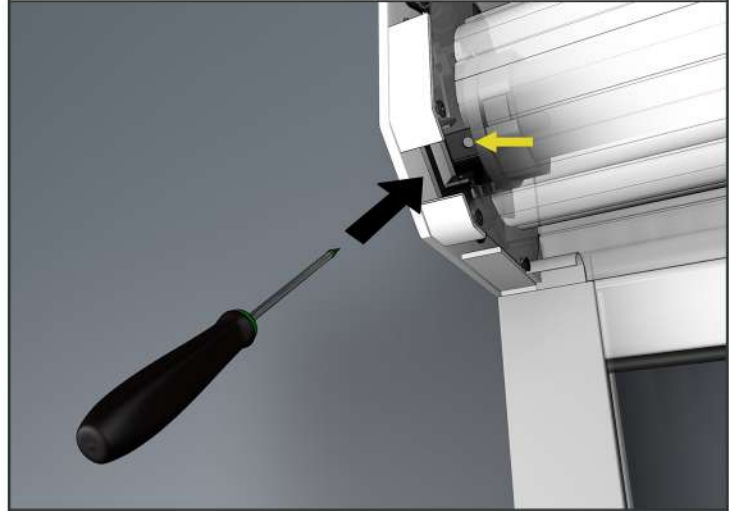
PAIRING A REMOTE CONTROL

- 1 Open the roller shutter box.



- 2 Using a flathead screwdriver, press the P1 button on the motor head for 2 seconds (1 vibration).

It may be necessary to unscrew and slightly unbolt the back plate for better accessibility.



Then within 10 seconds, press the STOP button on the remote control for 2 seconds (2 vibrations).
The motor and the remote control are paired.

Repeat the operation for any new transmitter or to delete the existing pairing.



STOP

Close the roller shutter box.

The motor beeps during raising or lowering:

The battery level is low --> recharge the roller shutter panel, see page 6. Check whether the solar panel is sufficiently exposed to sunlight.

My motor keeps going at the top and/or bottom:

The stop limits have to be set on your shutter, please refer to page 8.

My motor stops while setting the limits:

The motor shuts down automatically when overheated - try again in 10 minutes.

My shutter doesn't go all the way down or all the way up:

The stop limits are incorrectly adjusted - refer to page 8 and reset them.

My shutter jams on it's way down or up:

A shutter slat may have moved to one side - check the alignment and try again.

My motor doesn't respond to my remote control:

Check the batteries and try to re-pair with your motor.

Check that the synchronized remote control is an Avosdim bi-directional remote control.

Why aren't my shutter guides pre-drilled?

We leave the drilling to you as each configuration is different - please refer to the installation manual.

Is the control side chosen while inside facing out or outside facing in?

The control side is based on your right or left from inside facing out.

My stop limits aren't configured correctly:

Please refer to and follow the steps detailed on page 9.

My motor does not turn in the right direction:

Press the **UP** and **DOWN** buttons for 2 seconds simultaneously on the remote control. The direction of the motor is then reversed.

Note that this operation can only be carried out if the upper and lower stops have not yet been adjusted.